



RONGSEN

汕头市荣森泵业有限公司
SHANTOU CITY RONGSEN DISPENSING PUMP CO.,LTD.

P00	-----	品牌规划	BRANDING
P01	-----	企业简介	INTRODUCTION
P02	-----	机械设备列表	MACHINERY / EQUIPMENT LIST
P03	-----	供应商基本信息	GENERAL INFORMATION
P04	-----	组织架构图	ORGANIZATION CHART
P05	-----	公司联系方式及地址	COMPANY CONTACT INFORMATION & ADDRESS
P06	-----	R201 乳液泵	LOTION PUMP
P19	-----	R203 乳液泵	LOTION PUMP
P22	-----	R205 乳液外置弹簧乳液泵	UP-LOCK METAL FREE CONTACT LOTION PUMP
P23	-----	R501 乳液泵	LOTION PUMP ; 喷雾泵 FINE MIST SPRAYER
P38	-----	R502 乳液泵	LOTION PUMP
P39	-----	R503 乳液泵	LOTION PUMP
P40	-----	R505 乳液泵	LOTION PUMP
P42	-----	R300 膏霜泵	TREATMENT PUMP
P44	-----	R301 油泵	OIL PUMP ; 儿童乳液泵 BABY LOTION PUMP
P45	-----	R302 真空泵	AIRLESS PUMP
P46	-----	R305 膏霜泵	TREATMENT PUMP
P48	-----	R600 喷雾泵	FINE MIST SPRAYER
P52	-----	R701 泡沫泵	FOAM PUMP
P55	-----	R702 泡沫泵	FOAM PUMP
P56	-----	R800 瓶盖系列	CAP SERIES
P57	-----	R801 真空瓶系列	AIRLESS PUMP BOTTLE SERIES



Lotion Pumps, Fine Mist Sprayers, Treatment Pumps, Foam Pumps, Airless Pumps etc
乳液泵, 喷雾泵, 膏霜泵, 泡沫泵, 真空泵等



RONGSEN BRANDING 荣森品牌规划

RONGSEN VISION: 荣森憧憬

OUR VISION IS TO BE THE LEADING SUPPLIER AND MANUFACTURER OF LOTION PUMPS, MIST SPRAYERS, FOAM PUMPS, AND AIRLESS PUMPS, FOR THE COSMETIC PACKAGING PRODUCTS AROUND THE WORLD. WE CONTINUOUSLY SET NEW TRENDS WITH PRODUCTS THAT ARE RELIABLE, SAFE, ELEGANT AND UNIVERSALLY APPEALING.

我们的憧憬是为全球各地的客户提供优质的产品以及服务。我们会继续研发制造出更加可靠，安全，具有号召力的新产品。

RONGSEN MISSION: 荣森使命

RONGSEN MAKES PRECISE TECHNOLOGY AND RELIABLE QUALITY TO BE PART OF YOUR BRAND.

为您的品牌提供精确的技术支持和可靠的质量保障。

RONGSEN BRAND HERITAGE : 荣森品牌传承

THE COMPANY THAT BROUGHT RELIABLE AND SAFE PACKAGING SOLUTIONS TO YOU.

为您带来可靠安全的化妆品包装解决方案。

RONGSEN BRAND VALUES : 荣森品牌价值

POSITIVE 积极的
INNOVATIVE 创新的
EFFICIENT 有效的

PROFESSIONAL 专业的
RELIABLE 可靠的

RONGSEN STRENGTHS: 荣森优势

HIGH QUALITY AT A COMPETITIVE PRICE. 具有竞争力的价格和高品质产品
EXCELLENT SERVICE WITH POSITIVE FEEDBACK. 优质的服务
SOPHISTICATED MARKETING SENSITIVE. 前瞻性的市场策略
HIGHLY PROFESSIONAL TECHNICIAN TEAM. 专业的技术团队
RELIABLE AND LONG-TERM BUSINESS RELATIONSHIP WITH TIER ONE COSMETIC BRANDS.

与众多一线品牌拥有稳定和长远的合作关系



INTRODUCTION

企业简介 >>

Shantou City Rongsen Dispensing Pump Co.,Ltd. is one of leading suppliers and manufacturers of designing, developing, producing and promoting the lotion dispenser pumps, treatment pumps, mist sprayers, foam pumps and airless pumps under the certified quality control system according to ISO9001:2015.

Since 2006, as a private enterprise, Rongsen has achieved an excellent reputation from both domestic and foreign customers. Our production lines are planted in closed and clean environment and modernized by more than 200 sets of injection machines, automatic assembly machines, cutting-inserting machines, electric discharge tool machines, and QC devices etc. Our technicians at R&D center are engaging in developing and creating new functional and stylish products.

Rongsen Dispensing Pump Co.,Ltd. has always been insisting on the revolution of technologies, the innovation of products, and the improvement of services. With the precise techniques in our production plants and high credibility in our services, we are extremely confident to provide you substantial value and build up a reliable long-term business relationship with you.

Shantou City Rongsen Dispensing Pump Co.,Ltd is looking forward to assisting your business.

汕头市荣森泵业有限公司作为一家独资企业，在设计，研发，生产乳液泵，膏霜泵，喷雾泵，泡沫泵，以及真空泵上一直处于行业领先水平。

自2006年建厂以来，荣森泵业一直遵循ISO9001质量管理体系，赢得了国内外客户极高的赞誉。在荣森现代化封闭式生产车间里，我们配备了200多台注塑机，自动化装配机，自动化检测设备以及开模设备。我们的研发团队一直没有停止对于新产品的开发和研究。

汕头市荣森泵业有限公司坚持以技术为本，勇于创新的发展理念。真诚地服务于客户。我们非常有信心为您提供优质的产品和服务，并建立长远的合作关系。

汕头市荣森泵业有限公司期待为您服务！



MACHINERY / EQUIPMENT LIST

机器设备列表 >>

MACHINERY/EQUIPMENT	机器/设备	# OF EQUIPMENT 设备数量	DAILY CAPACITY(PCS) 日产能 (支)
Injection Machines	注塑机	160	18 million /一千八百万
Dip Tube Extending Machines	插管机器	8	400,000
Automatic Assembly Machines with QC Checking System	自动装配机附带自动化检测系统	95	1.5 million/一百五十万
Aluminium Collar Assembly Machine	电化铝装配机器	2	50,000
High Speed QC Devices	高速质量检测设备	4	400,000
Machining Center	自动数控机床	2	—
Numerical Control Lathe	数控机床	2	—
WEDM-LS Machines	慢走丝机床	2	—
WEDM-HS Machines	快走丝机床	2	—
Numerical Controlled EDM	数控镜面火花机	2	—
Grinder	铣床	6	—
Regular Electrical Discharge Machines	普通火花机器	5	—
Lathe	车床	5	—
Vacuum Box	真空高压测试仪	2	—
Torque Force Testing Device	扭力测试设备	1	—
Projector Lamp House	投影仪器	1	—
Viscometer	粘度计	1	—
32 Color Housing	色灯箱	1	—
Callipers	测径器	4	—
Microscope	显微镜	2	—
Pull and Push Dynamometer	推拉力计	1	—
2D Projector	2D投影仪	1	—
Spring Last Testing Devices	弹簧测试设备	1	—

GENERAL INFORMATION

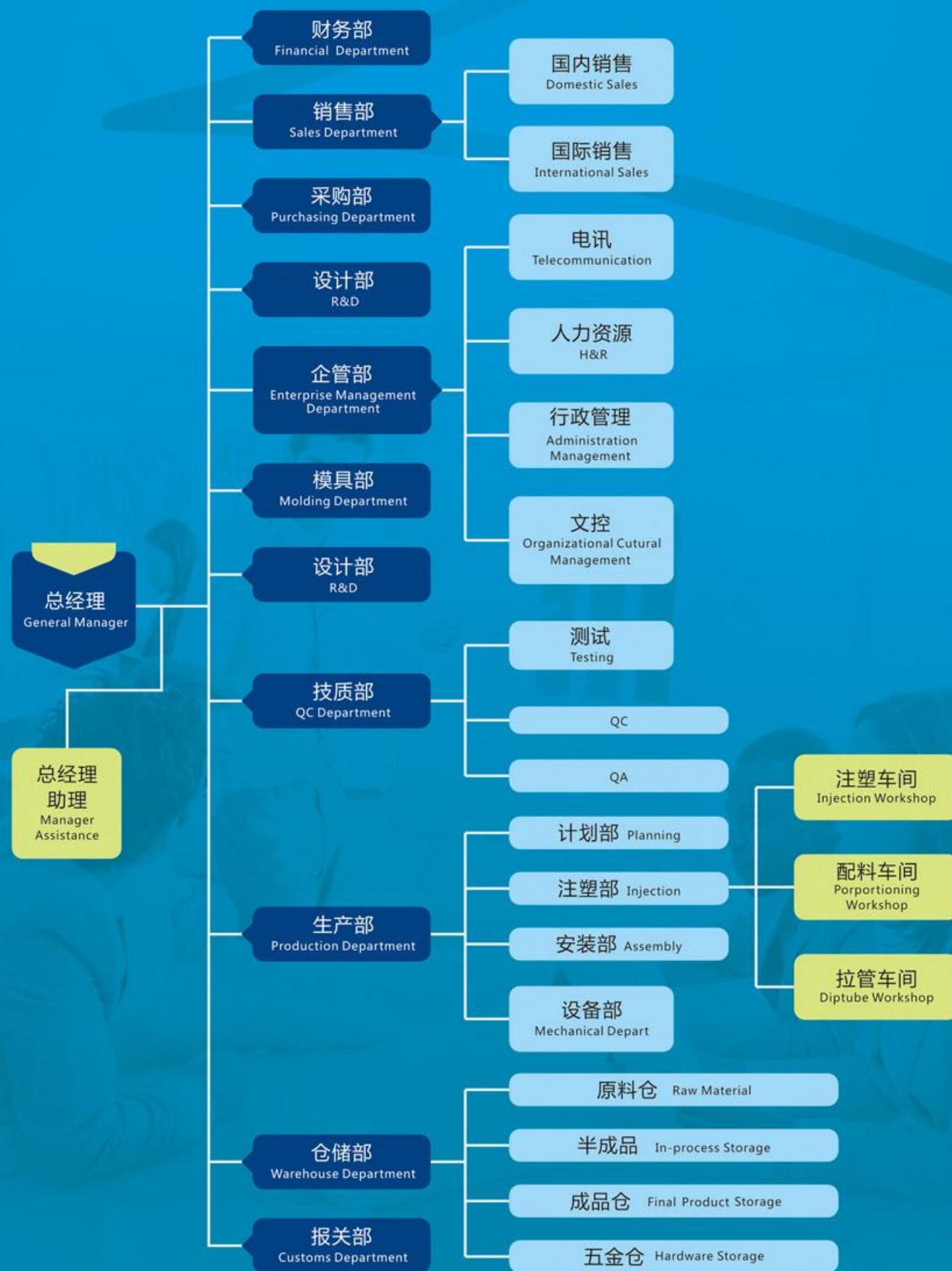
供应商基本信息 >>

GENERAL INFORMATION 供应商基本信息			
Vendor Name 供应商名	Shantou City Rongsen Dispenser Pump Co.,Ltd. 汕头荣森泵业有限公司		
Address 地址	Luxi Industrial Area, Chaonan District, Shantou City, Guangdong Province, China 中国广东省汕头市潮南区胪溪工业区		
Website 官方网址	www.gf21.net		
Annual Sales Volume 年营业额	USD 26 million 人民币1.6 亿	No. of workers 员工数	450
Major Category 主营产品类别	Lotion Pumps, Fine Mist Sprayers, Treatment Pumps, Foam Pumps, Airless Pumps etc. 乳液泵, 喷雾泵, 泡沫泵, 膏霜泵, 真空泵等等		
Main Market 主要市场	Mainland of China (70%) 中国 70%		
Export Market 出口市场	Asia, Africa, USA, Canada, Australia, Europe (30%) 亚洲, 非洲, 美国, 加拿大, 澳大利亚, 欧洲 (30%)		
Production Capacity 日产能 (支)	1.5 million pcs of pump per day 150 万		
Language Speaking 支持客服语言	Mandarin, Cantonese, English 国语, 粤语, 英语,		
Freight & Sample Policy 运费&样品政策	Free Samples 免费提供样品		
Registered Capital 注册资金	USD 500,000 人民币306 万		
Business Type 商业类型	Private Ownership 私营企业		
Floor Square Footage 占地面积	80,000 Square meters 80,000平方米		
GMP Dust Free Workshop GMP 无尘车间	ISO CLASS 8 & FED STANDARD 100,000		
QC Standard 检测标准	MIL-STD-105E		
Internal Certifications 商业系统认证	ISO 9001:2015 (ISO 9000, WRAP, ISO14001:2004, ISO9001:2008...etc.)		



ORGANIZATION CHART

组织架构图



公司联系方式及地址 COMPANY CONTACT INFORMATION & ADDRESS

Shantou City Rongsen Dispensing Pump Co.,Ltd
 Factory
 Tel:+86-754-8229 6552
 Fax:+86-754-8229 6553
 Address:Luxi Industrial Area,Chaonan District,Shantou City,Guangdong,Province,China.

汕头荣森泵业有限公司
 工厂总部
 电话：+86-754-8229 6552
 传真：+86-754-8229 6553
 地址：中国广东省汕头市潮南区胪溪工业区

International Sales Department
 Contact: James Yuan
 E-mail: sales1@gf21.net
 Phone: +86-20-36748639
 Fax: +86-20-36748636
 Direct Line: +86-13609045618
 Address: 5B06 Yufeng Plaza, No. 32 Lianhehelong Road first, Baiyun District, Guangzhou, China.

国际业务部
 联系人：袁远航
 E-mail: sales1@gf21.net
 电话：+86-20-36748639
 传真：+86-20-36748636
 直线：+86-13609045618
 地址：广州市白云区联和鹤龙一路32号御丰广场5B06

Guangzhou Sales Office
 Contact: Mr. Wu
 E-Mail: 292211588@qq.com
 Phone: +86-20-36748639
 Fax: +86-20-36748636
 Direct Line: +86-15811886611
 Address: 5B06 Yufeng Plaza, No. 32 Lianhehelong Road first, Baiyun District, Guangzhou, China

广州办事处
 联系人：吴睿浩
 E-mail:292211588@qq.com
 电话：+86-20-36748639
 传真：+86-20-36748636
 直线：+86-15811886611
 地址：广州市白云区联和鹤龙一路32号御丰广场5B06

Shanghai Sales Office
 Contact: Mr.Wu
 E-Mail: 153555881@qq.com
 Phone: +86-21-34240678
 Fax: +86-21-54252617
 Direct Line: +86-18721740989
 Address:A-203 Laiyin Hongjing Center, 1439 Wuzhong Road, Minhang District, Shanghai, China.

上海办事处：
 联系人：吴伟泽
 E-mail:153555881@qq.com
 电话：+86-21-34240678
 传真：+86-21-54252617
 直线：+86-18721740989
 地址：上海市闵行区吴中路1439号莱茵虹景中心A-203室

GOOGLE MAPS



R201
SERIES
SHOW

RONGSEN
RONGSEN CATALOGUE 荣森产品画册



- 适用产品：洗手液，洗面奶，润肤露等
- 泵出剂量：1.9±0.3g/次
- 纸箱规格尺寸：55*40.5*33CM
- 每箱大概数量：800个
- Application: hand soap, facial cleansing milk, lotion, etc.
- Dosage: 1.9±0.3g/time
- CTN Meas: 58.1*30.8*38.5CM
- Approx Qty per CTN: 750 pcs

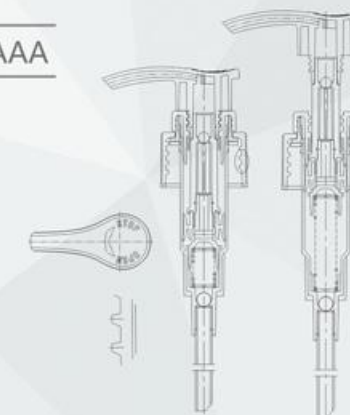
LOTION PUMP SERIES

R201 乳液泵系列

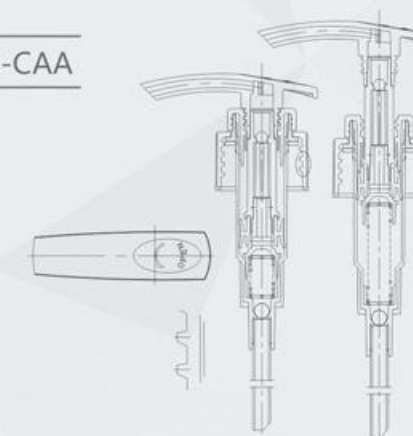
HIGH QUALITY &
SAFE PRODUCT
坚守“技术为精、信誉为本”的发展理念



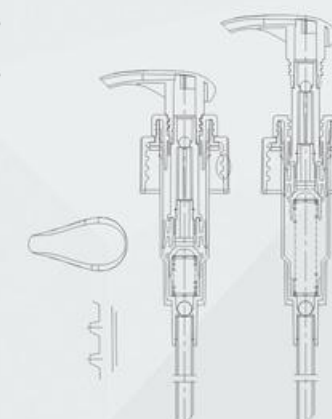
R201-24/410A-AAA



R201-24/410A-CAA

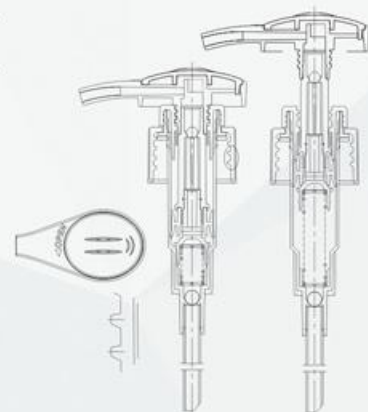


R201-24/410A-JAA





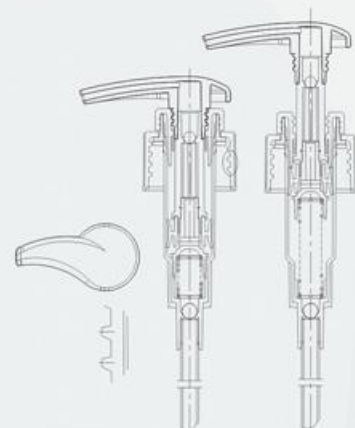
R201-24/410A-SAA



R201-24/410B-BCA



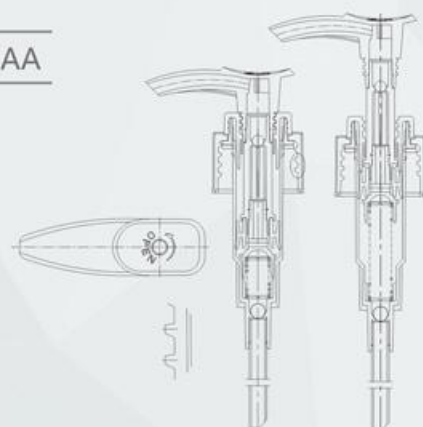
R201-24/410A-UAA



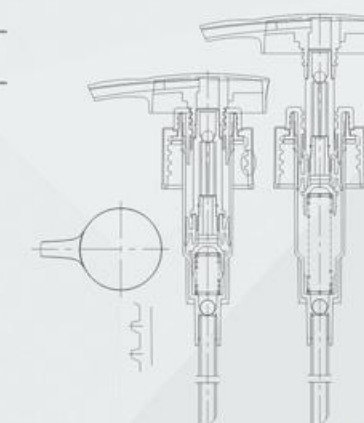
R201-24/410B-GBA



R201-24/410B-BAA

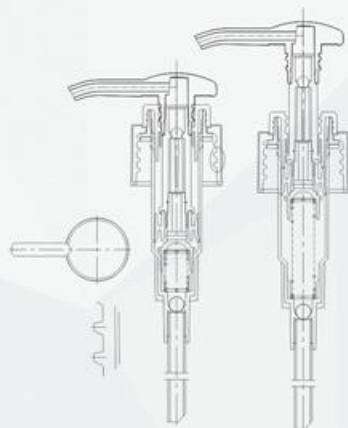


R201-24/410B-IAA

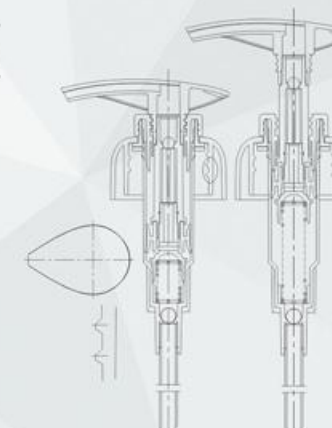




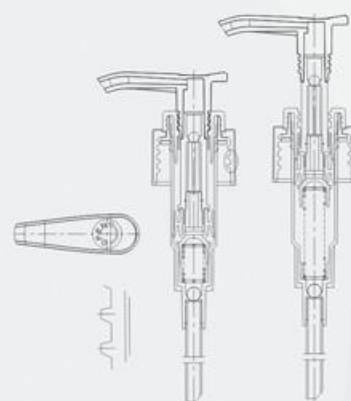
R201-24/410B-LAA



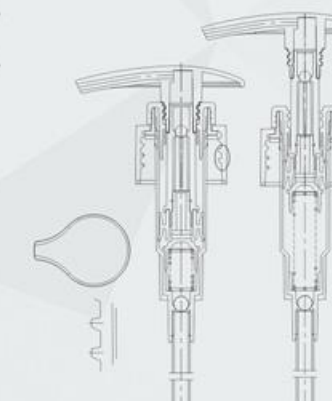
R201-24/410C-GAA



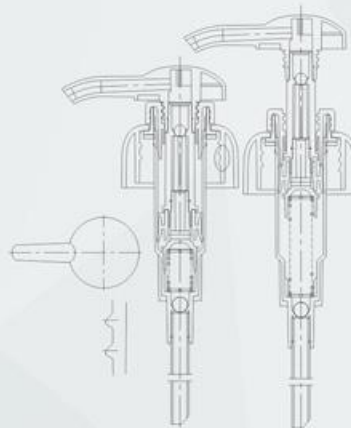
R201-24/410B-MAA



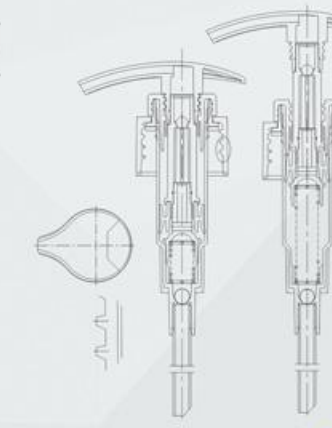
R201-24/410D-FAA



R201-24/410C-EAA



R201-24/410D-KAA



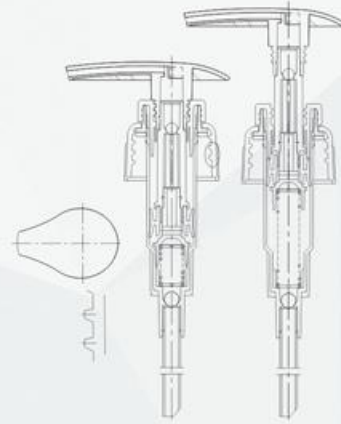
R201
SERIES
SHOW

RONGSEN
RONGSEN CATALOGUE 荣森产品画册

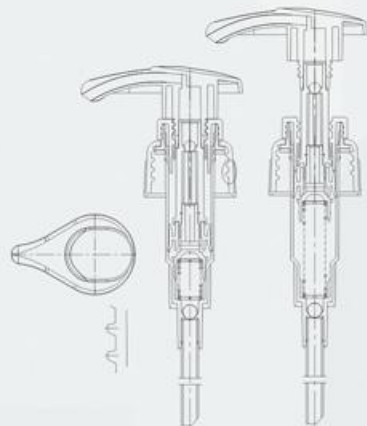
HIGH QUALITY &
SAFE PRODUCT
坚守“技术为精、信誉为本”的发展理念



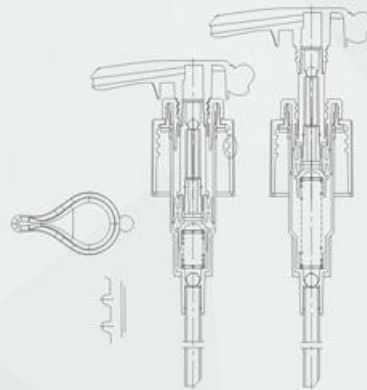
R201-24/410F-DAA



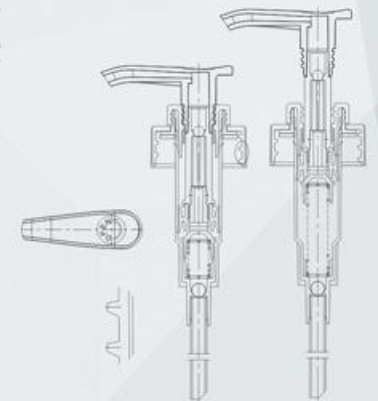
R201-24/410F-HAA



R201-24/415A-NAA



R201-28/400A-MAA

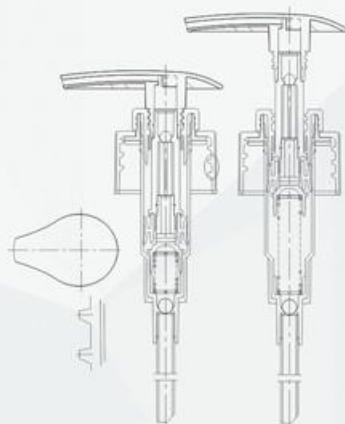


PROFESSIONAL
RELIABLE
EFFICIENT
专心、专业、专注！

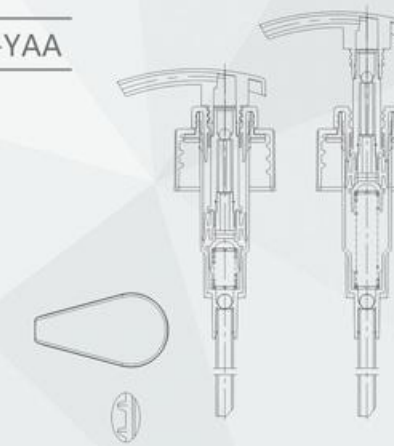




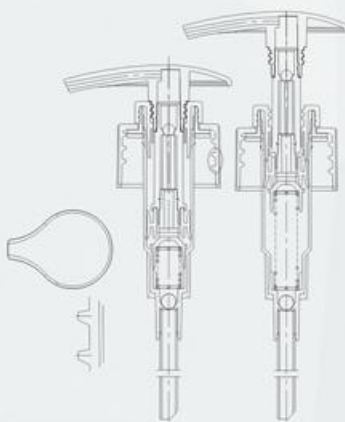
R201-28/410A-DAA



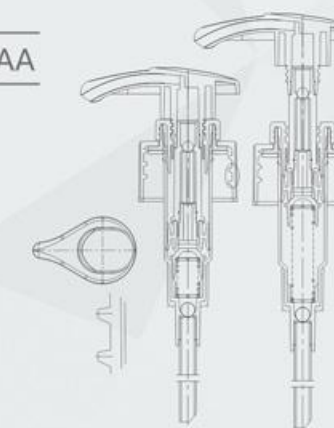
R201-28/410A-YAA



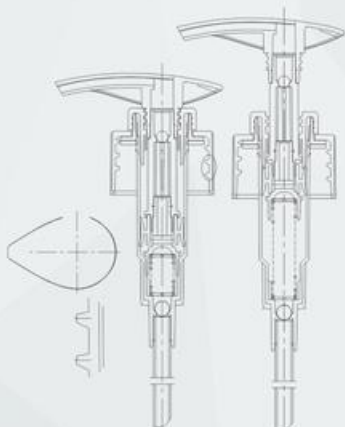
R201-28/410A-FAA



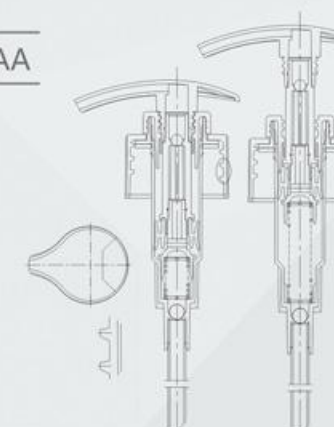
R201-28/410A-HAA



R201-28/410A-GAA

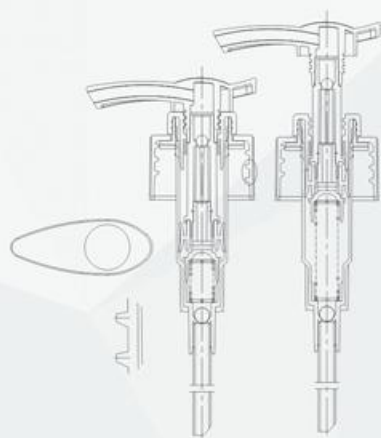


R201-28/410A-KAA

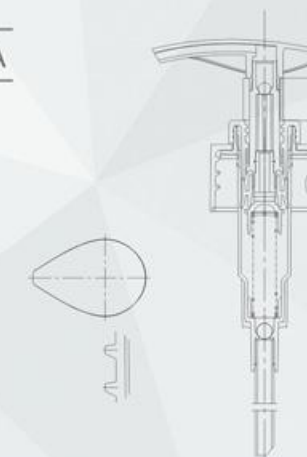




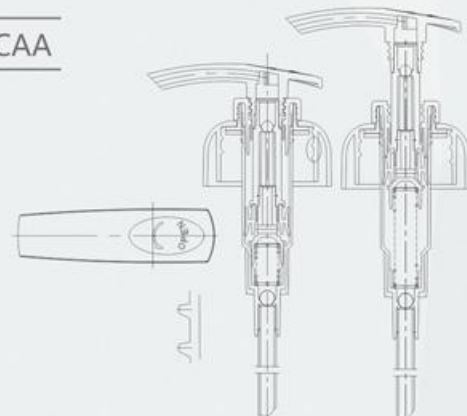
R201-28/410A-TAA



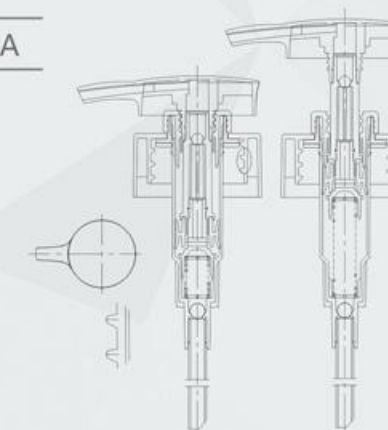
R201-28/410D-GBA



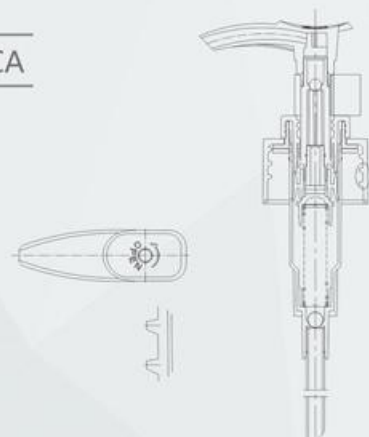
R201-28/410C-CAA



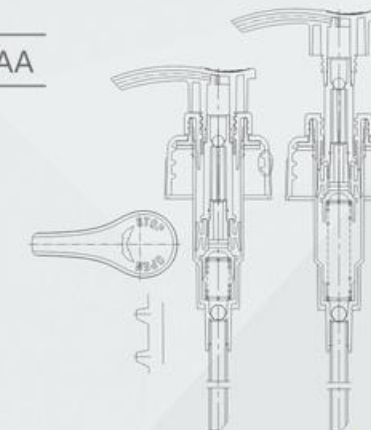
R201-28/410E-IAA



R201-28/410D-BCA

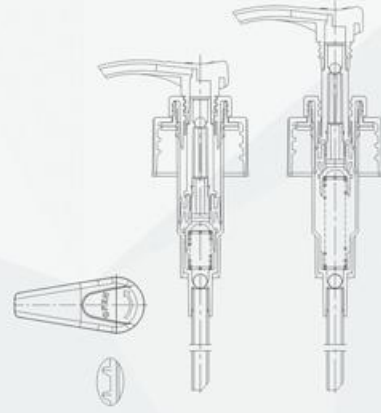


R201-28/410F-AAA

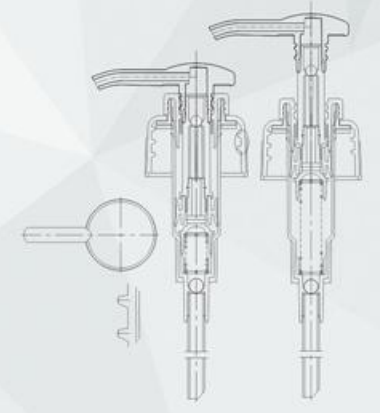




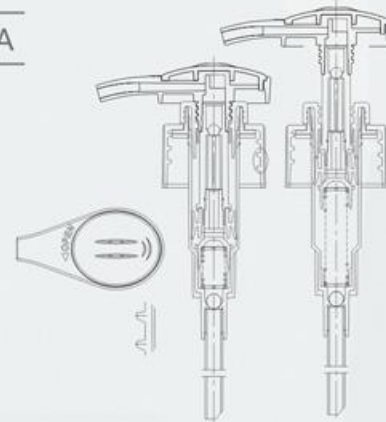
R201-28/410A-RAA



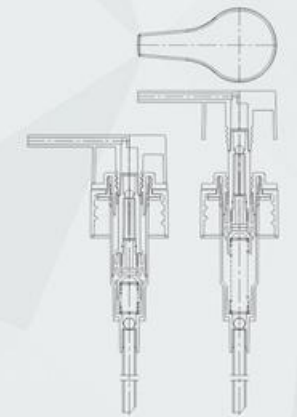
R201-28/410F-LAA



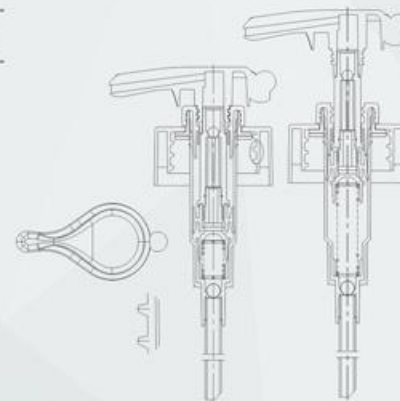
R201-28/410A-SAA



R201-28/410D-PAB



R201-28/410E-NAA



R201-28/415A-BAA



R203
SERIES
SHOW

RONGSEN
RONGSEN CATALOGUE 荣森产品画册

LOTION PUMP SERIES

R203 乳液泵系列

- 适用产品：洗手液，洗面奶，润肤露等
- 泵出剂量：2.0±0.3g/次
- 纸箱规格尺寸：55*40.5*33CM
- 每箱大概数量：750个
- Application: hand soap, facial cleansing milk, lotion, etc.
- Dosage: 2.0±0.3g/time
- CTN Meas: 58.1*30.8*38.5CM
- Approx Qty per CTN: 700 pcs

HIGH QUALITY &
SAFE PRODUCT

坚守“技术为精、信誉为本”的发展理念



R203-28/410A-AA



R203-28/410A-BA



R203-28/410B-CAA

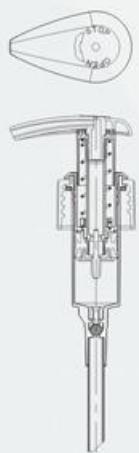


R201-28/410J-WAA

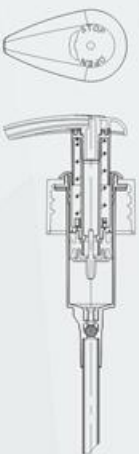




R205-24/410A-AA



R205-28/410D-AA



R205

- 适用产品：洗手液，洗面奶，润肤露等
- 泵出剂量：1.9±0.3g/次
- 纸箱规格尺寸：55*40.5*33CM
- 每箱大概数量：800个
- 功能：左右锁外置弹簧
- 螺盖标准：24/410,24/415,28/400,28/410,28/415. 条纹或者光滑。

- Application: hand soap, facial cleansing milk, lotion, etc.
- Dosage: 1.9±0.3g/time
- CTN Meas: 58.1*30.8*38.5CM
- Approx Qty Per Ctn: 750pcs
- Function: Up-lock, Metal free contact
- Standard Closures: 24/410, 24/415, 28/400, 28/410, 28/415. Ribbed or Smooth.

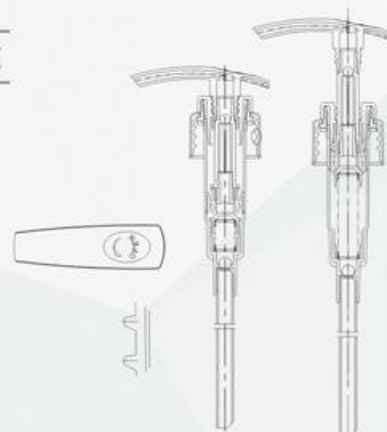
- 适用产品：洗发水，沐浴露，洗洁精等
- 泵出剂量：4.0±0.4g/次
- 纸箱规格尺寸：55*40.5*33CM
- 每箱大概数量：500个
- Application: shampoo, shower gel, dish washing liquid, etc.
- Dosage: 4.0±0.4g/time
- CTN Meas:58.1*30.8*38.5CM
- Approx Qty per CTN: 480 pcs

**LOTION
PUMP SERIES**

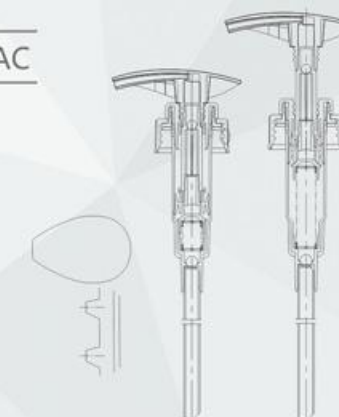
R501 乳液泵系列



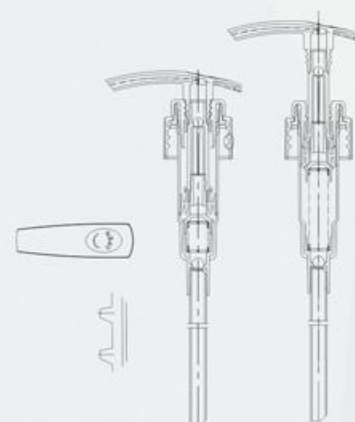
R501-28/410A-AAC



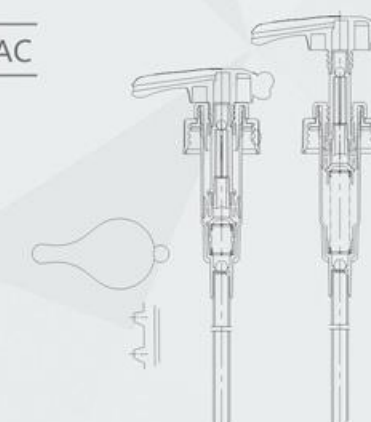
R501-30/410A-GAC



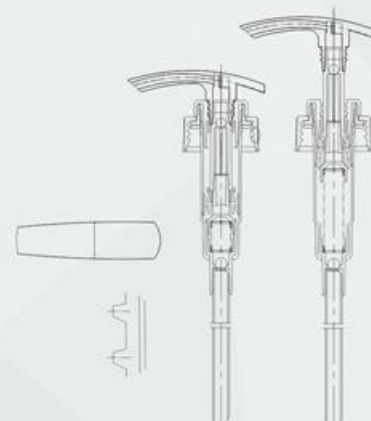
R501-28/410B-AAC



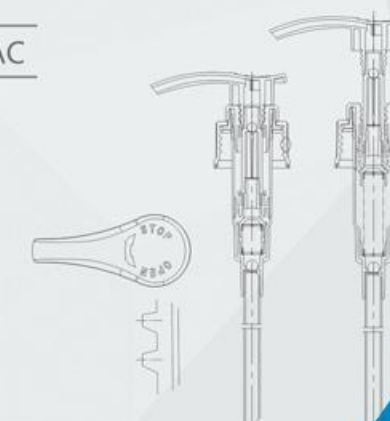
R501-30/410A-NAC



R501-30/410A-ABC



R501-30/410B-BAC

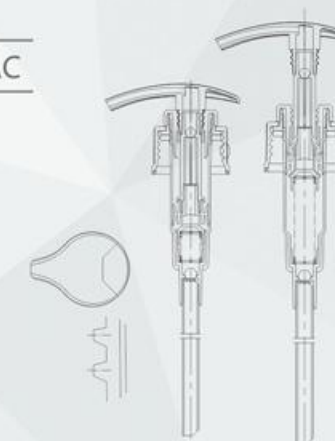




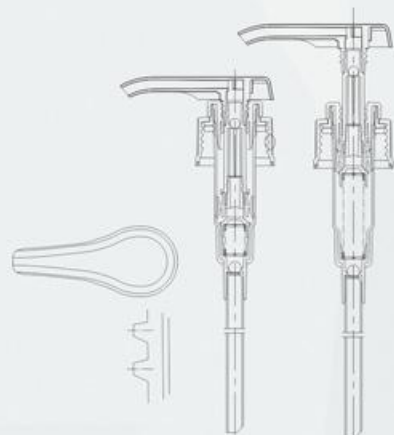
R501-30/410B-CAC



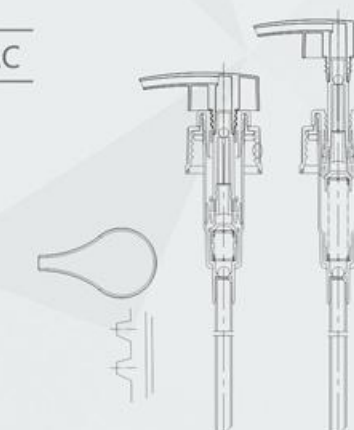
R501-30/410B-KAC



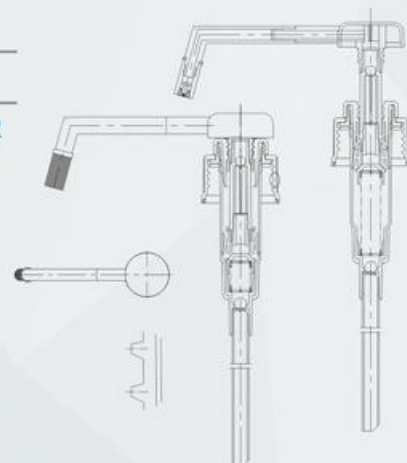
R501-30/410B-FAC



R501-30/410B-PAC



R501-30/410B-JAC
FINE MIST SPRAYER
喷雾泵



R501-33/410A-JAC
FINE MIST SPRAYER
喷雾泵

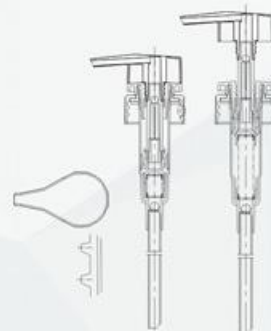


R501
SERIES
SHOW

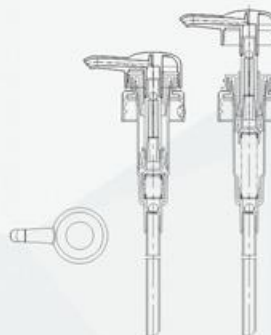
RONGSEN
RONGSEN CATALOGUE 荣森产品画册



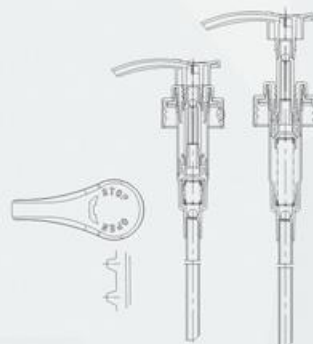
R501-33/410A-PAA



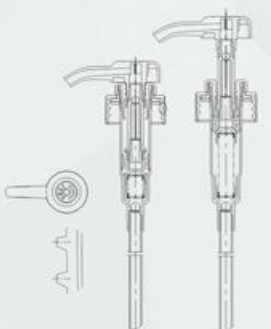
R501-33/410A-ZAF



R501-33/410B-BAC



R501-33/410B-CAC

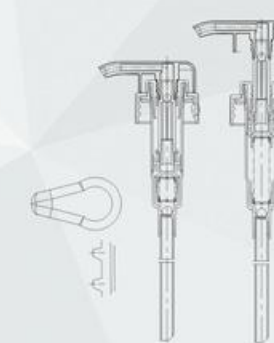




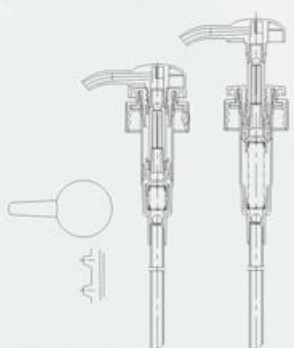
R501-33/410B-DAB



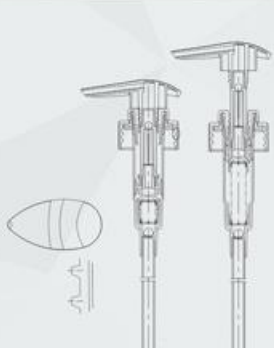
R501-33/410B-MAC



R501-33/410B-EAA



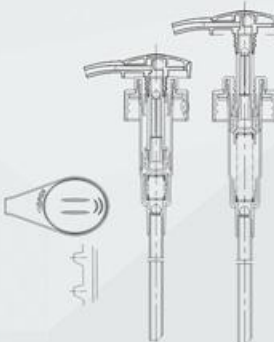
R501-33/410B-OAC



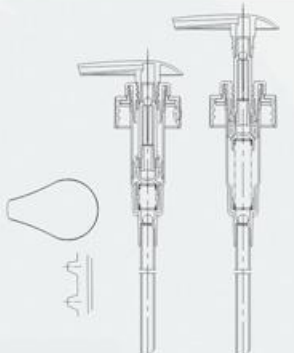
R501-33/410B-ECB



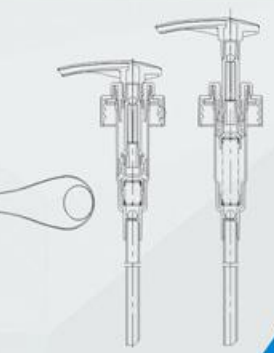
R501-33/410B-SAC



R501-33/410B-HAC

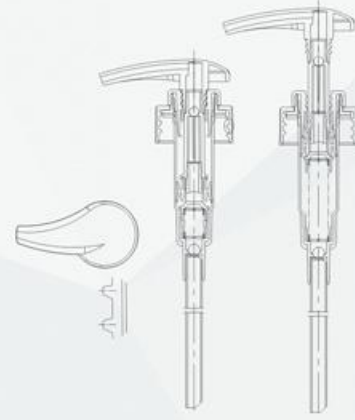


R501-33/410B-HBC

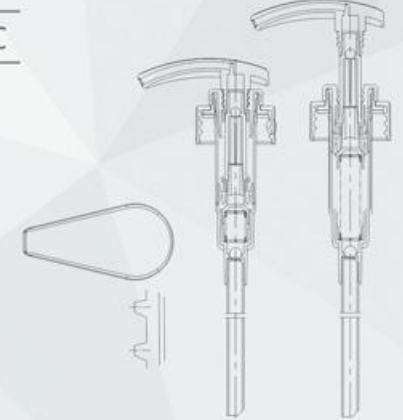




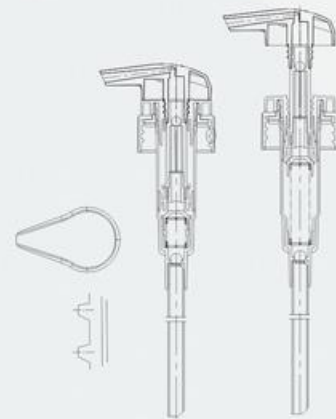
R501-33/410B-UAC



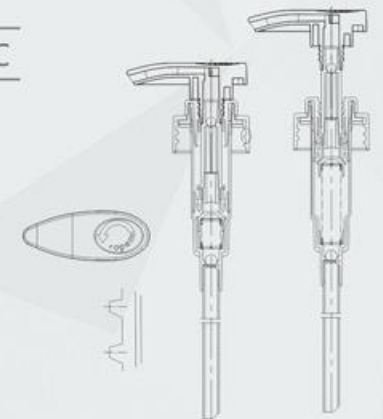
R501-33/410B-YAC



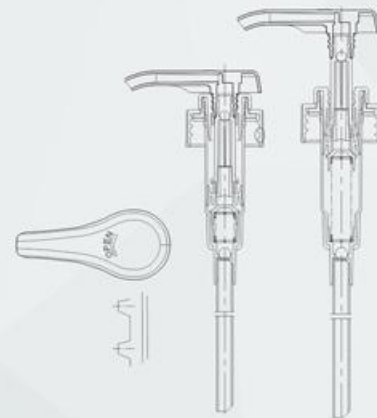
R501-33/410B-WAE



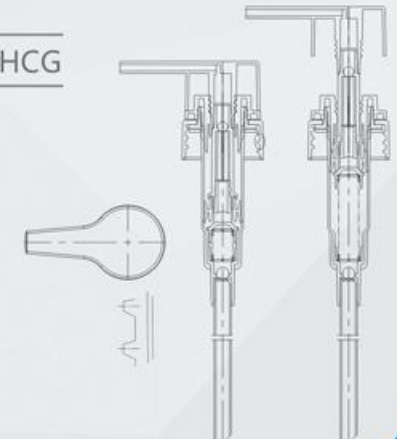
R501-33/410C-RAC



R501-33/410B-XAC

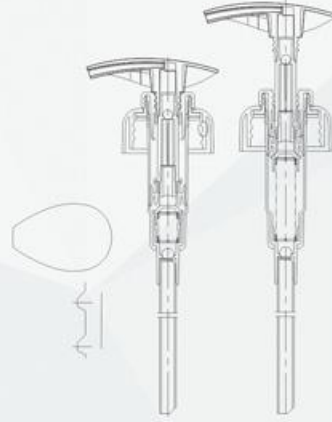


R501-33/410C-HCG

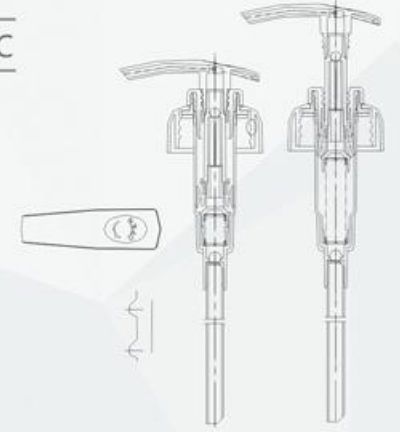




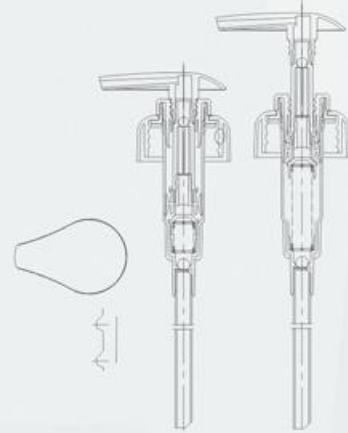
R501-33/410D-GAC



R501-33/410D-AAC



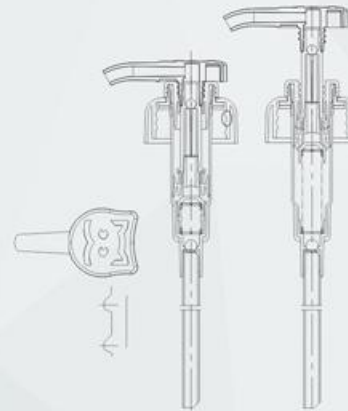
R501-33/410D-HAC



R501-33/410D-QAA



R501-30/410D-LAD

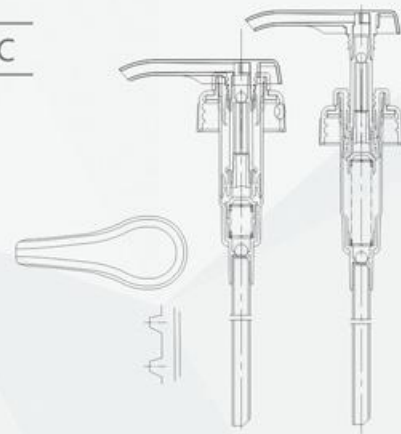


R501-33/410E-IAA





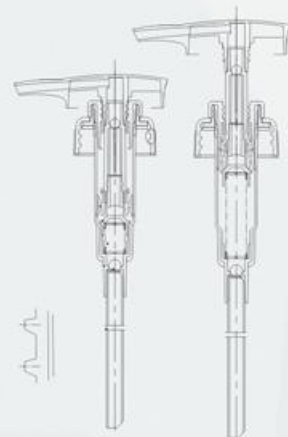
R501-33/410F-FAC



R501-33/410F-TAC



R501-33/410F-IAC



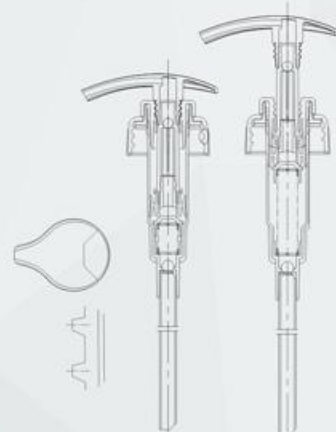
R501-33/410G-DAB



R501-33/410G-MAC



R501-33/410F-KAC



R501-33/410H-EAA



R502
SERIES
SHOW

LOTION PUMP SERIES

R502-33/410A-AAA

乳液泵系列



- 适用产品：洗发水，沐浴露，洗洁精等
- 泵出剂量：2.4±0.3g/次
- 纸箱规格尺寸：55*40.5*33CM
- 每箱大概数量：300个
- Application: shampoo, shower gel, dish washing liquid, etc.
- Dosage: 2.4±0.3g/time
- CTN Meas: 58.1*30.8*38.5CM
- Approx Qty per CTN: 280 pcs

R503
SERIES
SHOW

LOTION PUMP SERIES

R503-33/410B-CAA

乳液泵系列



- 适用产品：洗发水，沐浴露，洗洁精等
- 泵出剂量：3.0±0.3g/次
- 纸箱规格尺寸：55*40.5*33CM
- 每箱大概数量：300个
- Application: shampoo, shower gel, dish washing liquid, etc.
- Dosage: 3.0±0.3g/time
- CTN Meas: 58.1*30.8*38.5CM
- Approx Qty per CTN: 280 pcs

R505
SERIES
SHOW

RONGSEN
RONGSEN CATALOGUE 荣森产品画册

HIGH QUALITY &
SAFE PRODUCT

坚守“技术为精、信誉为本”的发展理念

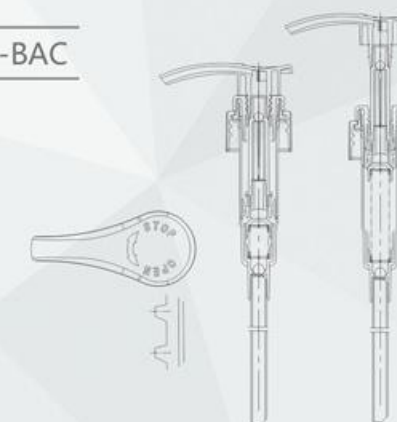


LOTION PUMP SERIES

R505 乳液泵系列



R505-28/410C-BAC



R505-33/410B-BAC



- 适用产品：洗发水，沐浴露，洗洁精等
- 泵出剂量：5.0±0.5g/次
- 纸箱规格尺寸：55*40.5*33CM
- 每箱大概数量：550个
- Application: shampoo, shower gel, dish washing liquid, etc.
- Dosage: 5.0±0.5g/time
- CTN Meas: 58.1*30.8*38.5CM
- Approx Qty per CTN: 500 pcs



R300
SERIES
SHOW

RONGSEN
RONGSEN CATALOGUE 荣森产品画册

TREATMENT PUMP SERIES

R300 膏霜泵系列

- 适用产品：粉底霜，防晒霜，润肤露等
- 泵出剂量：0.22±0.05g/次
- 纸箱规格尺寸：56*37*21CM
- 每箱大概数量：1000个

Application: foundation cream,
sun protection cream, body lotion, etc.
Dosage: 0.22±0.05g/time
CTN Meas: 56x37x21cm
Approx Qty per CTN: 1000 pcs

HIGH QUALITY &
SAFE PRODUCT

坚守“技术为精、信誉为本”的发展理念

RONGSEN



R300-M18/400C-CA



R300-20/410B-BA



R300-M20/410C-CA



R301
SERIES
SHOW

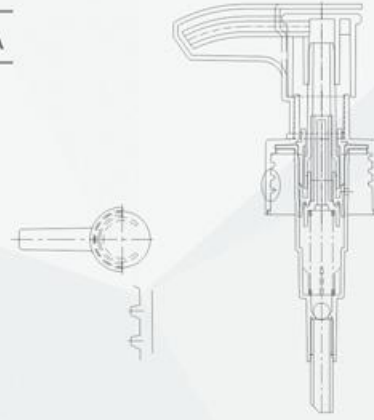
油泵系列

- 适用产品：卸妆油，洗手液，洗面奶，润肤露等
- 泵出剂量：0.65±0.05g/次
- 纸箱规格尺寸：55*40.5*33CM
- 每箱大概数量：1100个

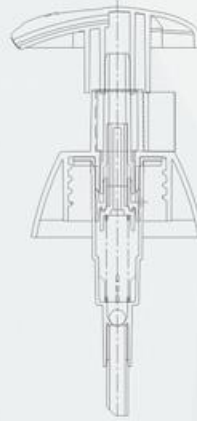
- Application: cleansing oil, hand soap, facial cleansing milk, lotion, etc.
- Dosage: 0.65±0.05g/time
- CTN Meas: 58.1*30.8*38.5CM
- Approx Qty per CTN: 1000 pcs



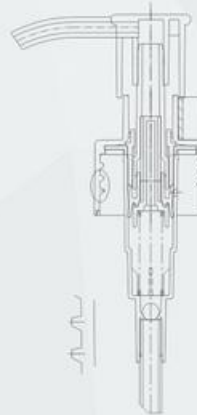
R301-20/410B-AAA
OIL PUMP
油泵



R301-24/410C-BAC
BABY LOTION PUMP
儿童乳液油泵



R301-24/410B-AAB
OIL PUMP
油泵



R302
SERIES
SHOW

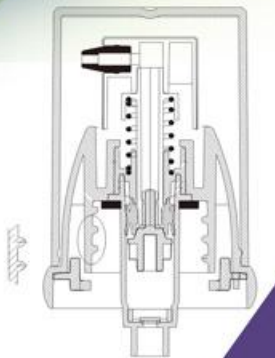
**AIRLESS
PUMP SERIES**
真空泵系列



R302-18/410A-AAA

- 适用产品：粉底霜，防晒霜，润肤露等
- 泵出剂量：0.2±0.04g/次
- 纸箱规格尺寸：56*37*21CM
- 每箱大概数量：900个

- Application: foundation cream, sun-protection cream, body lotion, etc.
- Dosage: 0.2±0.04g/time
- CTN Meas: 56*37*21CM
- Approx Qty per CTN: 900 pcs



R305
SERIES
SHOW

RONGSEN
RONGSEN CATALOGUE 荣森产品画册

HIGH QUALITY &
SAFE PRODUCT

坚守“技术为精、信誉为本”的发展理念



TREATMENT PUMP SERIES

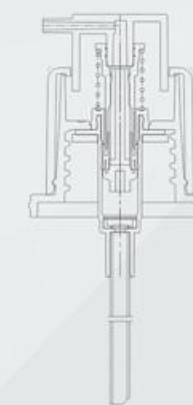
R305
膏霜泵系列

- 适用产品：粉底霜，防晒霜，润肤露等
- 泵出剂量：0.22±0.05g/次
- 纸箱规格尺寸：56*37*21CM
- 每箱大概数量：1000个

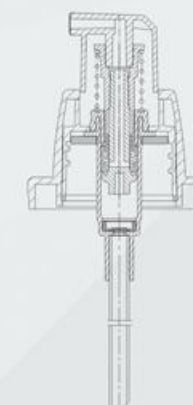
Application: foundation cream,
sun protection cream, body lotion, etc.
Dosage: 0.22±0.05g/time
CTN Meas: 56x37x21cm
Approx Qty per CTN: 1000 pcs



R305-22/410A-AAA



R305-22/410B-BA



R600
SERIES
SHOW

RONGSEN
RONGSEN CATALOGUE 荣森产品画册

FINE MIST SPRAYER SERIES

R600

喷雾泵系列

- 适用产品：花露水，香水，空气清新剂等
- 泵出剂量：0.19±0.03g/次
- 纸箱规格尺寸：56*37*21CM
- 每箱大概数量：900个

- Application: florida water, perfume, air freshener, etc.
- Dosage: 0.19±0.03g/time
- CTN Meas:56*37*21CM
- Approx Qty per CTN: 900 pcs



HIGH QUALITY &
SAFE PRODUCT

坚守“技术为精、信誉为本”的发展理念



R600-18/410A-AAA



R600-18/410A-CAA

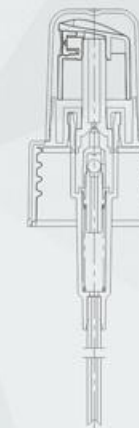


R600-20/400A-BAA

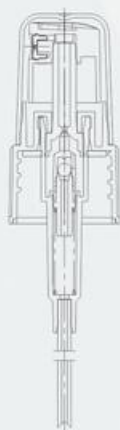




R600-24/410A-AAA



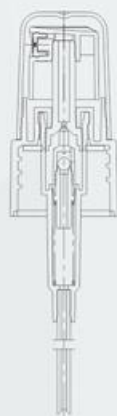
R600-20/410A-BAA



R600-24/410A-BAA



R600-20/410B-CAA



R600-24/410B-AAA



R701
SERIES
SHOW

RONGSEN
RONGSEN CATALOGUE 荣森产品画册

HIGH QUALITY &
SAFE PRODUCT



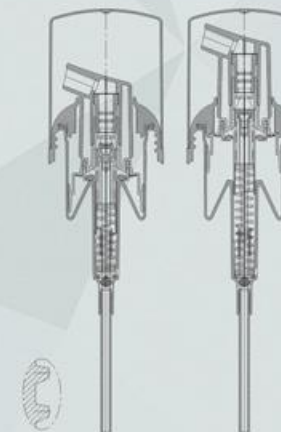
FOAM PUMP SERIES

R701 & 702

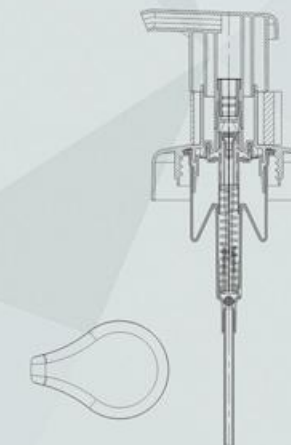
泡沫泵系列



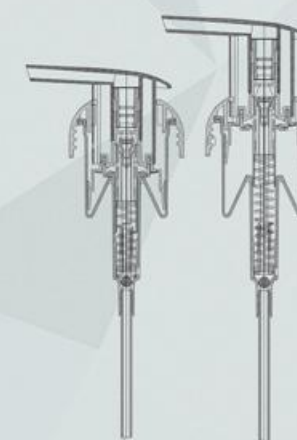
R701-40/410C-DA



R701-40/410D-EAB

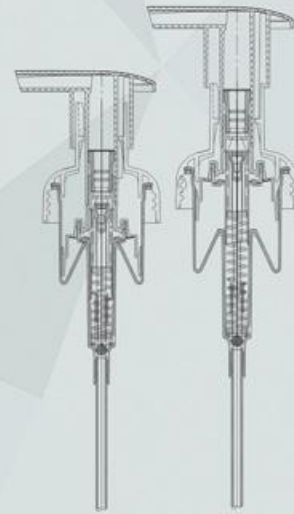


R701-40/410A-AA

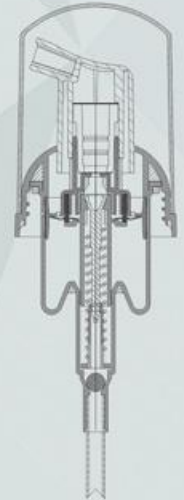




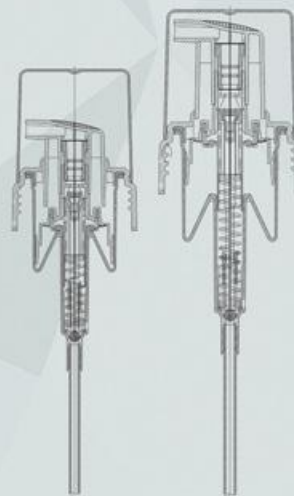
R701-40/410B-BA



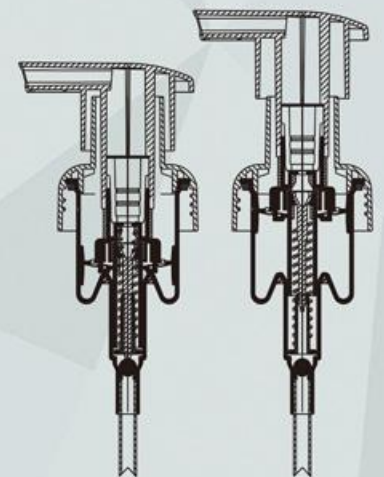
R702-30/410A-AA



R701-43/410A-CA



R702-30/410B-BA



R701

- 适用产品：洗手液，洗面乳等
- 泵出剂量：0.8±0.15g/次，1.6±0.2g/次
- 纸箱规格尺寸：55*40.5*33CM
- 每箱大概数量：350个

- Application: hand soap, hand sanitizer, facial wash, etc.
- Dosage: 0.8±0.15g/time, 1.6±0.2g/time
- CTN Meas: 58.1*30.8*38.5CM
- Approx Qty per CTN: 320 pcs

R702

- 适用产品：洗手液，洗面乳等
- 泵出剂量：0.4±0.1g/次
- 纸箱规格尺寸：55*40.5*33CM
- 每箱大概数量：620个

- Application: hand soap, hand sanitizer, facial wash, etc.
- Dosage: 0.4±0.1g/time
- CTN Meas: 58.1*30.8*38.5CM
- Approx Qty per CTN: 600 pcs

R800 SERIES SHOW

瓶盖系列

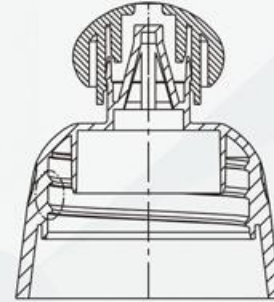
- 适用产品：洗涤液，洗洁精，洗衣液等
- 纸箱规格尺寸：55*40.5*33CM
- 每箱大概数量：400 ~ 1800个

CAP SERIES

- Application: laundry detergent liquid, dish washing liquid, etc.
- CTN Meas: 58.1*30.8*38.5CM
- Approx Qty per CTN: 400 ~ 1800 pcs



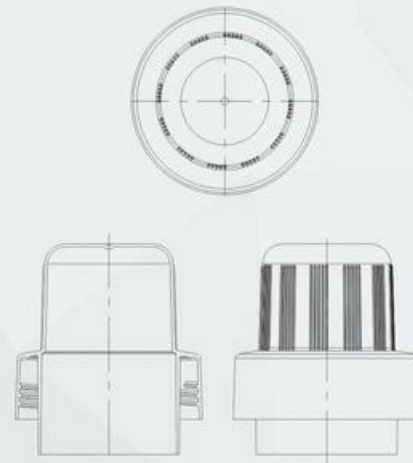
R800-30-410A



R800-M33-410A



R800-M62-400C



R801 SERIES SHOW

真空瓶系列

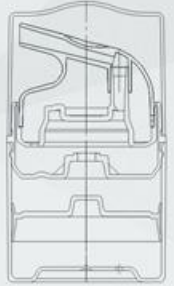
- 适用产品：护肤霜及抗老化霜类产品等
- 容量: 30ml, 50ml
- 纸箱规格尺寸：55*40.5*33CM
- 每箱大概数量：260个

AIRLESS PUMP BOTTLE SERIES

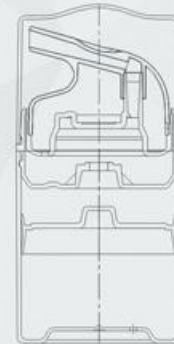
- Application: facial moisturizer cream & anti-aging daily moisturizer, etc.
- Capacity: 30ml, 50ml
- CTN Meas: 58.1*30.8*38.5CM
- Approx Qty per CTN: 250 pcs



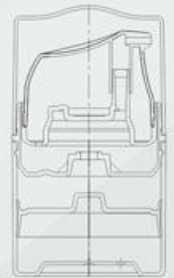
R801-AAA-30ML



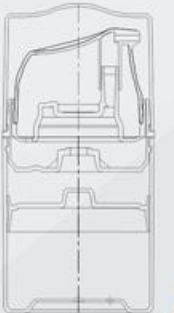
R801-AAA-50ML



R801-BAA-30ML



R801-BAA-50ML





RONGSEN

汕头市荣森泵业有限公司
SHANTOU CITY RONGSEN DISPENSING PUMP CO.,LTD.

P00	-----	品牌规划	BRANDING
P01	-----	企业简介	INTRODUCTION
P02	-----	机械设备列表	MACHINERY / EQUIPMENT LIST
P03	-----	供应商基本信息	GENERAL INFORMATION
P04	-----	组织架构图	ORGANIZATION CHART
P05	-----	公司联系方式及地址	COMPANY CONTACT INFORMATION & ADDRESS
P06	-----	R201 乳液泵	LOTION PUMP
P19	-----	R203 乳液泵	LOTION PUMP
P22	-----	R205 乳液外置弹簧乳液泵	UP-LOCK METAL FREE CONTACT LOTION PUMP
P23	-----	R501 乳液泵	LOTION PUMP ; 喷雾泵 FINE MIST SPRAYER
P38	-----	R502 乳液泵	LOTION PUMP
P39	-----	R503 乳液泵	LOTION PUMP
P40	-----	R505 乳液泵	LOTION PUMP
P42	-----	R300 膏霜泵	TREATMENT PUMP
P44	-----	R301 油泵	OIL PUMP ; 儿童乳液泵 BABY LOTION PUMP
P45	-----	R302 真空泵	AIRLESS PUMP
P46	-----	R305 膏霜泵	TREATMENT PUMP
P48	-----	R600 喷雾泵	FINE MIST SPRAYER
P52	-----	R701 泡沫泵	FOAM PUMP
P55	-----	R702 泡沫泵	FOAM PUMP
P56	-----	R800 瓶盖系列	CAP SERIES
P57	-----	R801 真空瓶系列	AIRLESS PUMP BOTTLE SERIES



Lotion Pumps, Fine Mist Sprayers, Treatment Pumps, Foam Pumps, Airless Pumps etc
乳液泵, 喷雾泵, 膏霜泵, 泡沫泵, 真空泵等



RONGSEN BRANDING 荣森品牌规划

RONGSEN VISION: 荣森憧憬

OUR VISION IS TO BE THE LEADING SUPPLIER AND MANUFACTURER OF LOTION PUMPS, MIST SPRAYERS, FOAM PUMPS, AND AIRLESS PUMPS, FOR THE COSMETIC PACKAGING PRODUCTS AROUND THE WORLD. WE CONTINUOUSLY SET NEW TRENDS WITH PRODUCTS THAT ARE RELIABLE, SAFE, ELEGANT AND UNIVERSALLY APPEALING.

我们的憧憬是为全球各地的客户提供优质的产品以及服务。我们会继续研发制造出更加可靠，安全，具有号召力的新产品。

RONGSEN MISSION: 荣森使命

RONGSEN MAKES PRECISE TECHNOLOGY AND RELIABLE QUALITY TO BE PART OF YOUR BRAND.

为您的品牌提供精确的技术支持和可靠的质量保障。

RONGSEN BRAND HERITAGE : 荣森品牌传承

THE COMPANY THAT BROUGHT RELIABLE AND SAFE PACKAGING SOLUTIONS TO YOU.

为您带来可靠安全的化妆品包装解决方案。

RONGSEN BRAND VALUES : 荣森品牌价值

POSITIVE 积极的
INNOVATIVE 创新的
EFFICIENT 有效的

PROFESSIONAL 专业的
RELIABLE 可靠的

RONGSEN STRENGTHS: 荣森优势

HIGH QUALITY AT A COMPETITIVE PRICE. 具有竞争力的价格和高品质产品
EXCELLENT SERVICE WITH POSITIVE FEEDBACK. 优质的服务
SOPHISTICATED MARKETING SENSITIVE. 前瞻性的市场策略
HIGHLY PROFESSIONAL TECHNICIAN TEAM. 专业的技术团队
RELIABLE AND LONG-TERM BUSINESS RELATIONSHIP WITH TIER ONE COSMETIC BRANDS.

与众多一线品牌拥有稳定和长远的合作关系



INTRODUCTION

企业简介 >>

Shantou City Rongsen Dispensing Pump Co.,Ltd. is one of leading suppliers and manufacturers of designing, developing, producing and promoting the lotion dispenser pumps, treatment pumps, mist sprayers, foam pumps and airless pumps under the certified quality control system according to ISO9001:2015.

Since 2006, as a private enterprise, Rongsen has achieved an excellent reputation from both domestic and foreign customers. Our production lines are planted in closed and clean environment and modernized by more than 200 sets of injection machines, automatic assembly machines, cutting-inserting machines, electric discharge tool machines, and QC devices etc. Our technicians at R&D center are engaging in developing and creating new functional and stylish products.

Rongsen Dispensing Pump Co.,Ltd. has always been insisting on the revolution of technologies, the innovation of products, and the improvement of services. With the precise techniques in our production plants and high credibility in our services, we are extremely confident to provide you substantial value and build up a reliable long-term business relationship with you.

Shantou City Rongsen Dispensing Pump Co.,Ltd is looking forward to assisting your business.

汕头市荣森泵业有限公司作为一家独资企业，在设计，研发，生产乳液泵，膏霜泵，喷雾泵，泡沫泵，以及真空泵上一直处于行业领先水平。

自2006年建厂以来，荣森泵业一直遵循ISO9001质量管理体系，赢得了国内外客户极高的赞誉。在荣森现代化封闭式生产车间里，我们配备了200多台注塑机，自动化装配机，自动化检测设备以及开模设备。我们的研发团队一直没有停止对于新产品的开发和研究。

汕头市荣森泵业有限公司坚持以技术为本，勇于创新的发展理念。真诚地服务于客户。我们非常有信心为您提供优质的产品和服务，并建立长远的合作关系。

汕头市荣森泵业有限公司期待为您服务！



MACHINERY / EQUIPMENT LIST

机器设备列表 >>

MACHINERY/EQUIPMENT	机器/设备	# OF EQUIPMENT 设备数量	DAILY CAPACITY(PCS) 日产能 (支)
Injection Machines	注塑机	160	18 million /一千八百万
Dip Tube Extending Machines	插管机器	8	400,000
Automatic Assembly Machines with QC Checking System	自动装配机附带自动化检测系统	95	1.5 million/一百五十万
Aluminium Collar Assembly Machine	电化铝装配机器	2	50,000
High Speed QC Devices	高速质量检测设备	4	400,000
Machining Center	自动数控机床	2	—
Numerical Control Lathe	数控机床	2	—
WEDM-LS Machines	慢走丝机床	2	—
WEDM-HS Machines	快走丝机床	2	—
Numerical Controlled EDM	数控镜面火花机	2	—
Grinder	铣床	6	—
Regular Electrical Discharge Machines	普通火花机器	5	—
Lathe	车床	5	—
Vacuum Box	真空高压测试仪	2	—
Torque Force Testing Device	扭力测试设备	1	—
Projector Lamp House	投影仪器	1	—
Viscometer	粘度计	1	—
32 Color Housing	色灯箱	1	—
Callipers	测径器	4	—
Microscope	显微镜	2	—
Pull and Push Dynamometer	推拉力计	1	—
2D Projector	2D投影仪	1	—
Spring Last Testing Devices	弹簧测试设备	1	—

GENERAL INFORMATION

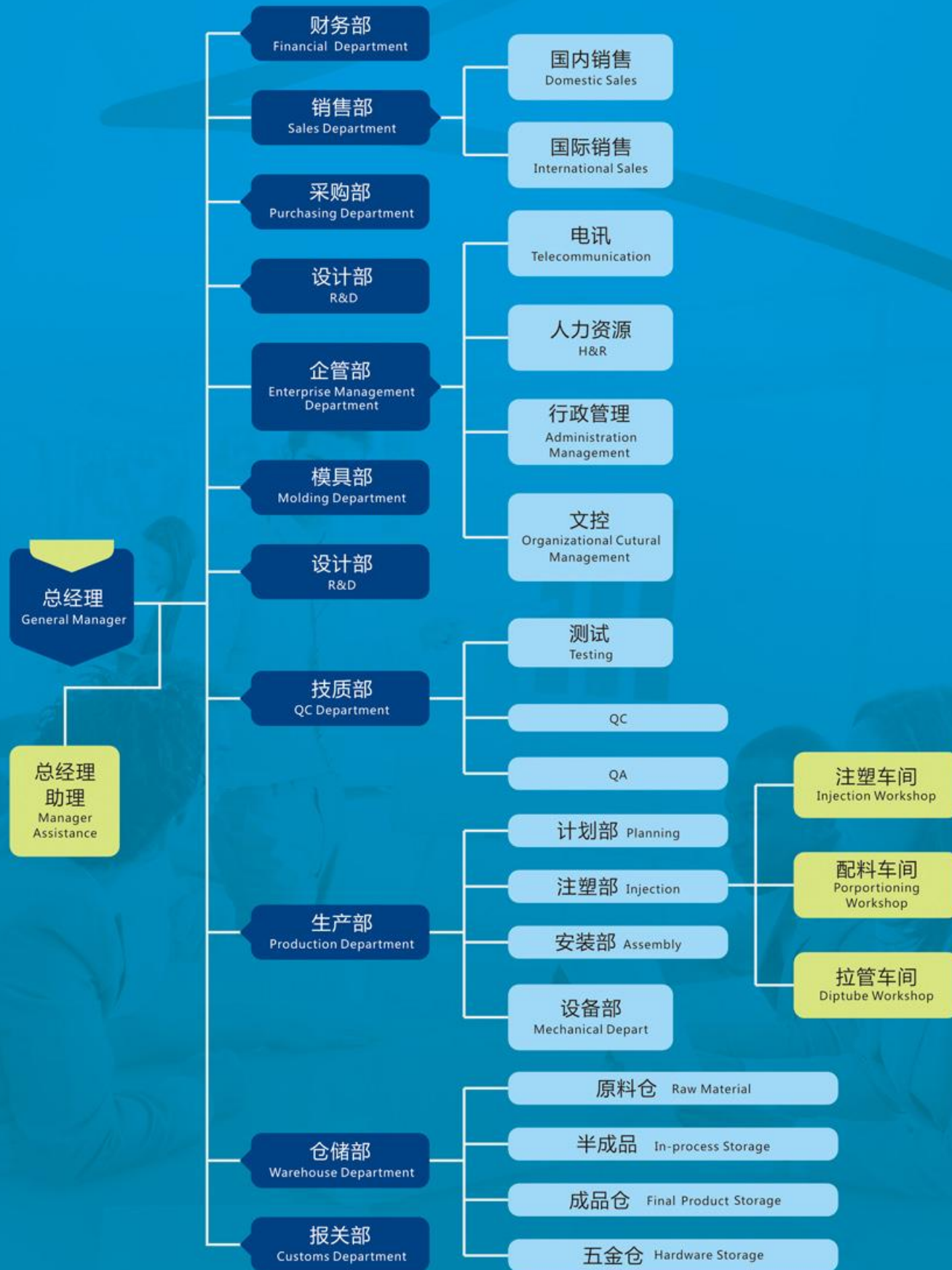
供应商基本信息 >>

GENERAL INFORMATION 供应商基本信息			
Vendor Name 供应商名	Shantou City Rongsen Dispenser Pump Co.,Ltd. 汕头荣森泵业有限公司		
Address 地址	Luxi Industrial Area, Chaonan District, Shantou City, Guangdong Province, China 中国广东省汕头市潮南区胪溪工业区		
Website 官方网址	www.gf21.net		
Annual Sales Volume 年营业额	USD 26 million 人民币1.6 亿	No. of workers 员工数	450
Major Category 主营产品类别	Lotion Pumps, Fine Mist Sprayers, Treatment Pumps, Foam Pumps, Airless Pumps etc. 乳液泵, 喷雾泵, 泡沫泵, 膏霜泵, 真空泵等等		
Main Market 主要市场	Mainland of China (70%) 中国 70%		
Export Market 出口市场	Asia, Africa, USA, Canada, Australia, Europe (30%) 亚洲, 非洲, 美国, 加拿大, 澳大利亚, 欧洲 (30%)		
Production Capacity 日产能 (支)	1.5 million pcs of pump per day 150 万		
Language Speaking 支持客服语言	Mandarin, Cantonese, English 国语, 粤语, 英语,		
Freight & Sample Policy 运费&样品政策	Free Samples 免费提供样品		
Registered Capital 注册资金	USD 500,000 人民币306 万		
Business Type 商业类型	Private Ownership 私营企业		
Floor Square Footage 占地面积	80,000 Square meters 80,000平方米		
GMP Dust Free Workshop GMP 无尘车间	ISO CLASS 8 & FED STANDARD 100,000		
QC Standard 检测标准	MIL-STD-105E		
Internal Certifications 商业系统认证	ISO 9001:2015 (ISO 9000, WRAP, ISO14001:2004, ISO9001:2008...etc.)		



ORGANIZATION CHART

组织架构图



公司联系方式及地址 COMPANY CONTACT INFORMATION & ADDRESS

Shantou City Rongsen Dispensing Pump Co.,Ltd
 Factory
 Tel:+86-754-8229 6552
 Fax:+86-754-8229 6553
 Address:Luxi Industrial Area,Chaonan District,Shantou City,Guangdong,Province,China.

汕头荣森泵业有限公司
 工厂总部
 电话：+86-754-8229 6552
 传真：+86-754-8229 6553
 地址：中国广东省汕头市潮南区胪溪工业区

International Sales Department
 Contact: James Yuan
 E-mail: sales1@gf21.net
 Phone: +86-20-36748639
 Fax: +86-20-36748636
 Direct Line: +86-13609045618
 Address: 5B06 Yufeng Plaza, No. 32 Lianhehelong Road first, Baiyun District, Guangzhou, China.

国际业务部
 联系人：袁远航
 E-mail: sales1@gf21.net
 电话：+86-20-36748639
 传真：+86-20-36748636
 直线：+86-13609045618
 地址：广州市白云区联和鹤龙一路32号御丰广场5B06

Guangzhou Sales Office
 Contact: Mr. Wu
 E-Mail: 292211588@qq.com
 Phone: +86-15811886611
 Fax: +86-20-36748636
 Direct Line: +86-15913151319
 Address: 5B06 Yufeng Plaza, No. 32 Lianhehelong Road first, Baiyun District, Guangzhou, China

广州办事处
 联系人：吴睿浩
 E-mail:292211588@qq.com
 电话：+86-20-36748639
 传真：+86-20-36748636
 直线：+86-15811886611
 地址：广州市白云区联和鹤龙一路32号御丰广场5B06

Shanghai Sales Office
 Contact: Mr.Wu
 E-Mail: 153555881@qq.com
 Phone: +86-21-34240678
 Fax: +86-21-54252617
 Direct Line: +86-18721740989
 Address:A-203 Laiyin Hongjing Center, 1439 Wuzhong Road, Minhang District, Shanghai, China.

上海办事处：
 联系人：吴伟泽
 E-mail:153555881@qq.com
 电话：+86-21-34240678
 传真：+86-21-54252617
 直线：+86-18721740989
 地址：上海市闵行区吴中路1439号莱茵虹景中心A-203室

GOOGLE MAPS



R201
SERIES
SHOW

RONGSEN
RONGSEN CATALOGUE 荣森产品画册



- 适用产品：洗手液，洗面奶，润肤露等
- 泵出剂量：1.9±0.3g/次
- 纸箱规格尺寸：55*40.5*33CM
- 每箱大概数量：800个
- Application: hand soap, facial cleansing milk, lotion, etc.
- Dosage: 1.9±0.3g/time
- CTN Meas: 58.1*30.8*38.5CM
- Approx Qty per CTN: 750 pcs

LOTION PUMP SERIES

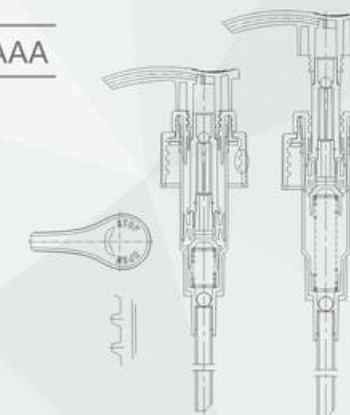
R201 乳液泵系列

HIGH QUALITY &
SAFE PRODUCT

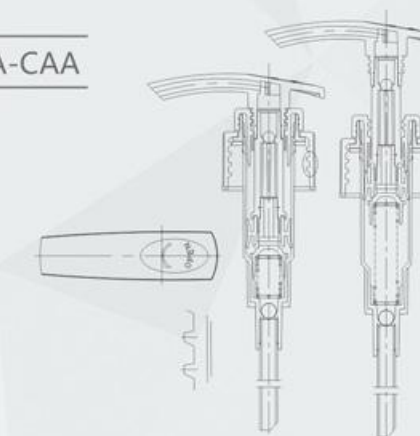
坚守“技术为精、信誉为本”的发展理念



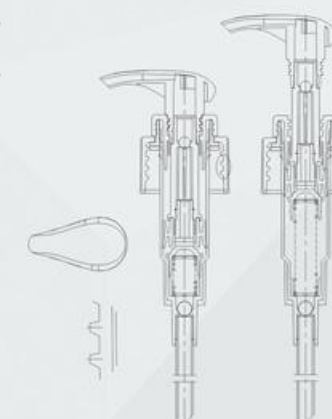
R201-24/410A-AAA



R201-24/410A-CAA

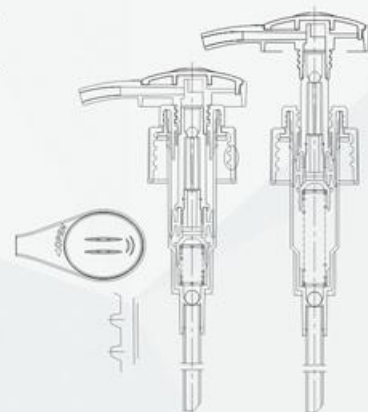


R201-24/410A-JAA





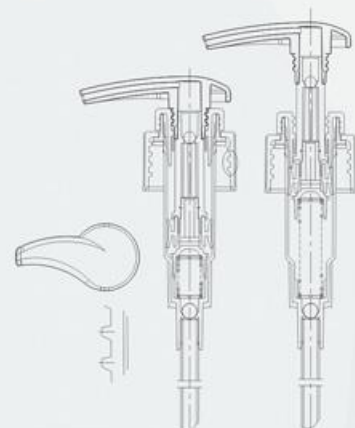
R201-24/410A-SAA



R201-24/410B-BCA



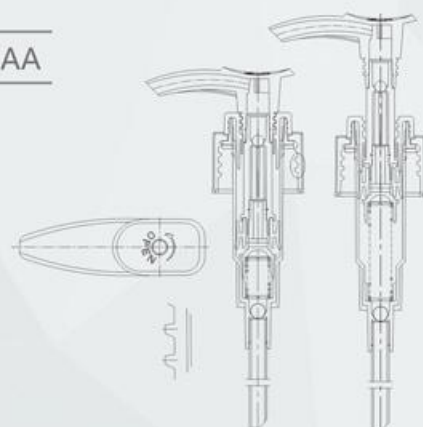
R201-24/410A-UAA



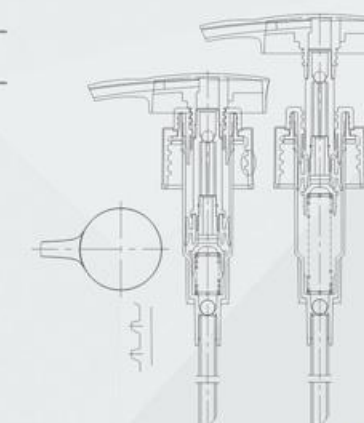
R201-24/410B-GBA



R201-24/410B-BAA

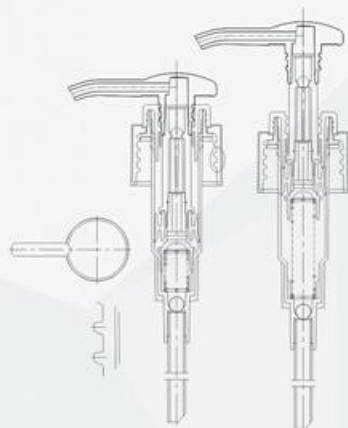


R201-24/410B-IAA

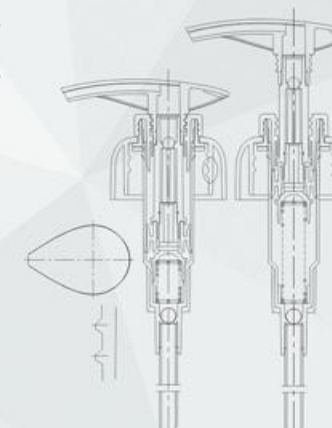




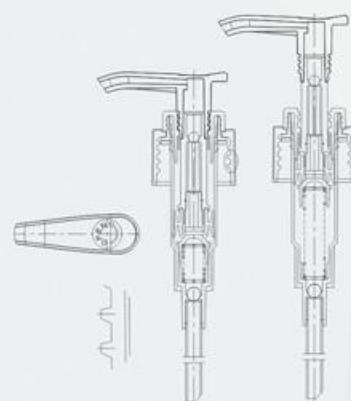
R201-24/410B-LAA



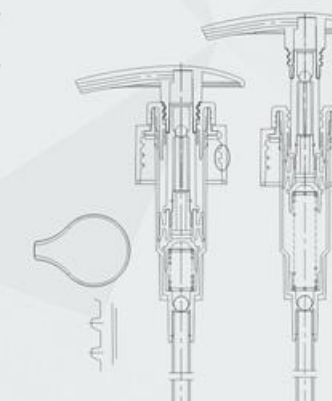
R201-24/410C-GAA



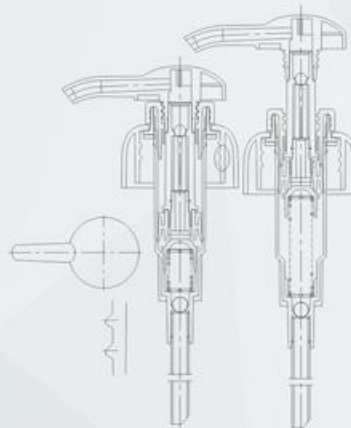
R201-24/410B-MAA



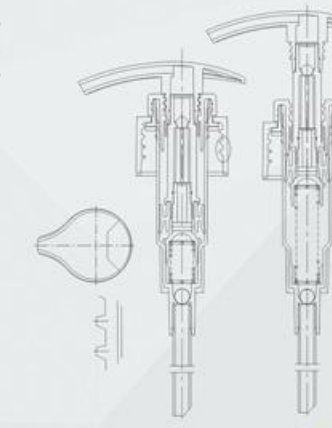
R201-24/410D-FAA



R201-24/410C-EAA



R201-24/410D-KAA



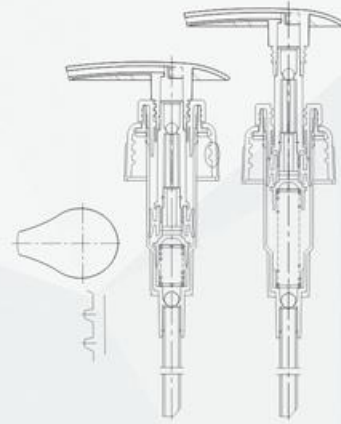
R201
SERIES
SHOW

RONGSEN
RONGSEN CATALOGUE 荣森产品画册

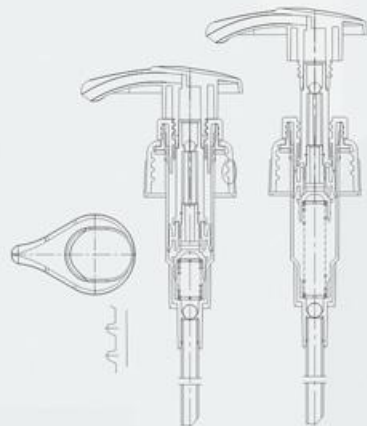
HIGH QUALITY &
SAFE PRODUCT
坚守“技术为精、信誉为本”的发展理念



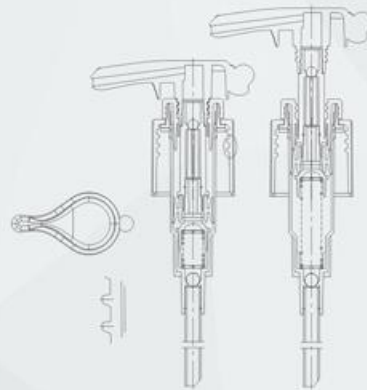
R201-24/410F-DAA



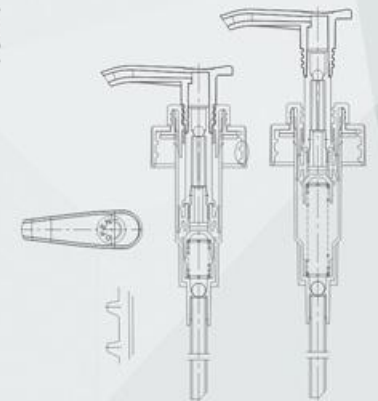
R201-24/410F-HAA



R201-24/415A-NAA



R201-28/400A-MAA

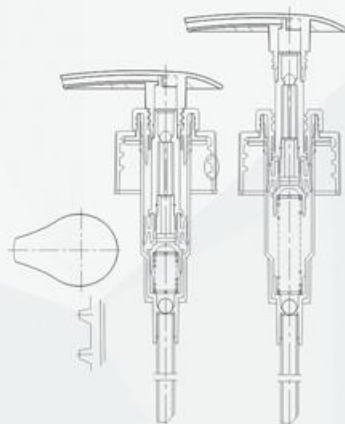


PROFESSIONAL
RELIABLE
EFFICIENT
专心、专业、专注！

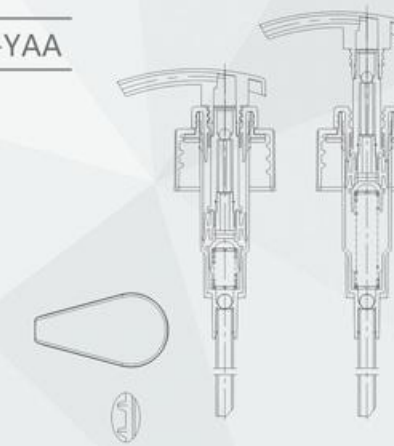




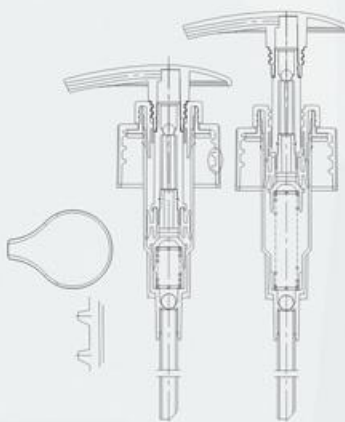
R201-28/410A-DAA



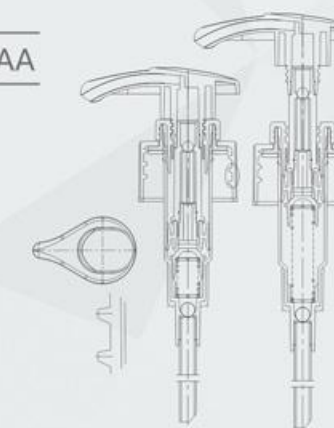
R201-28/410A-YAA



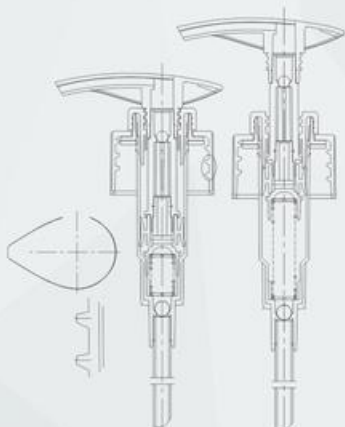
R201-28/410A-FAA



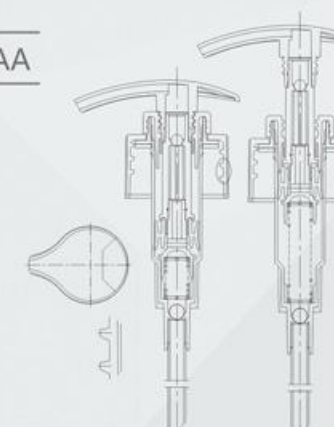
R201-28/410A-HAA



R201-28/410A-GAA

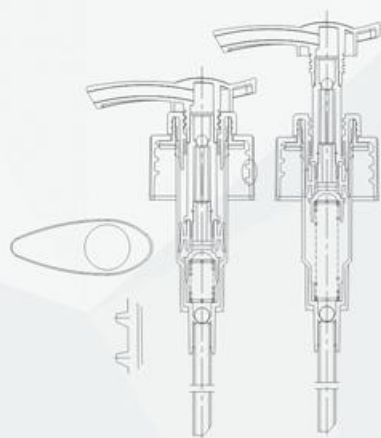


R201-28/410A-KAA

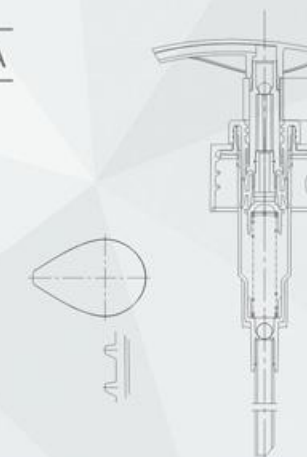




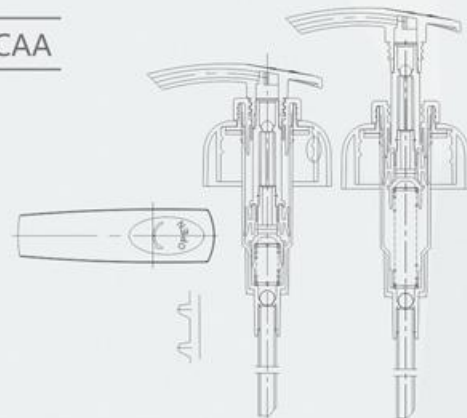
R201-28/410A-TAA



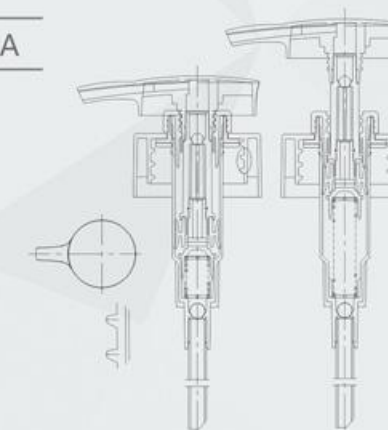
R201-28/410D-GBA



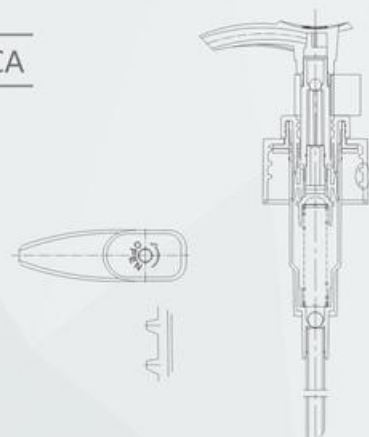
R201-28/410C-CAA



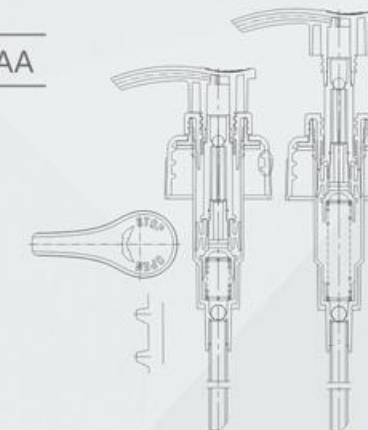
R201-28/410E-IAA



R201-28/410D-BCA

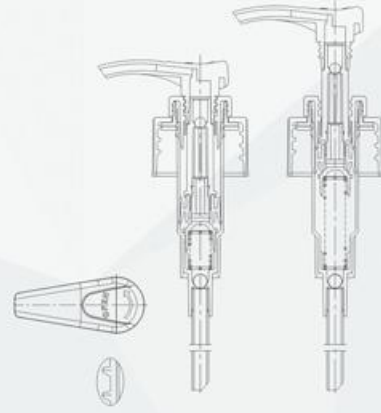


R201-28/410F-AAA

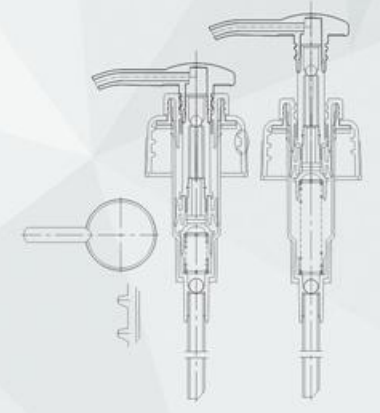




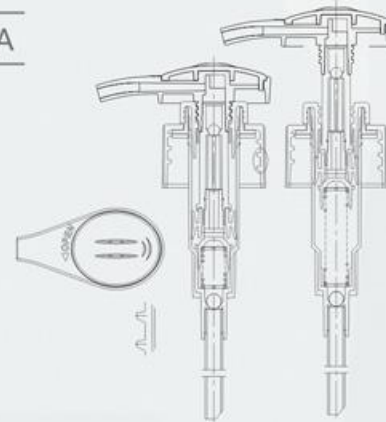
R201-28/410A-RAA



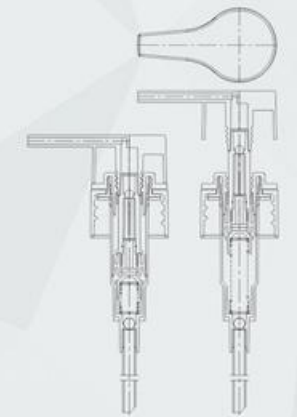
R201-28/410F-LAA



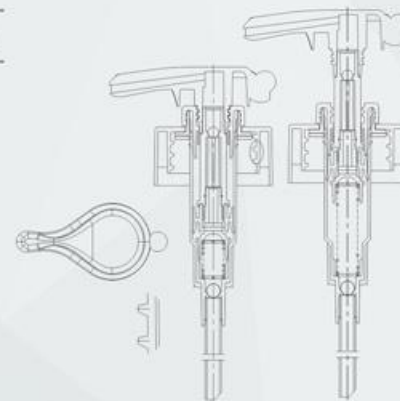
R201-28/410A-SAA



R201-28/410D-PAB



R201-28/410E-NAA



R201-28/415A-BAA



R203
SERIES
SHOW

RONGSEN
RONGSEN CATALOGUE 荣森产品画册

LOTION PUMP SERIES

R203 乳液泵系列

- 适用产品：洗手液，洗面奶，润肤露等
- 泵出剂量：2.0±0.3g/次
- 纸箱规格尺寸：55*40.5*33CM
- 每箱大概数量：750个
- Application: hand soap, facial cleansing milk, lotion, etc.
- Dosage: 2.0±0.3g/time
- CTN Meas: 58.1*30.8*38.5CM
- Approx Qty per CTN: 700 pcs

HIGH QUALITY &
SAFE PRODUCT

坚守“技术为精、信誉为本”的发展理念



R203-28/410A-AA



R203-28/410A-BA



R203-28/410B-CAA



R201-28/410J-WAA

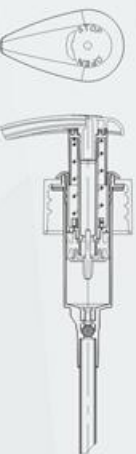




R205-24/410A-AA



R205-28/410D-AA



R205

- 适用产品：洗手液，洗面奶，润肤露等
- 泵出剂量：1.9±0.3g/次
- 纸箱规格尺寸：55*40.5*33CM
- 每箱大概数量：800个
- 功能：左右锁外置弹簧
- 螺盖标准：24/410,24/415,28/400,28/410,28/415. 条纹或者光滑。

- Application: hand soap, facial cleansing milk, lotion, etc.
- Dosage: 1.9±0.3g/time
- CTN Meas: 58.1*30.8*38.5CM
- Approx Qty Per Ctn: 750pcs
- Function: Up-lock, Metal free contact
- Standard Closures: 24/410, 24/415, 28/400, 28/410, 28/415. Ribbed or Smooth.

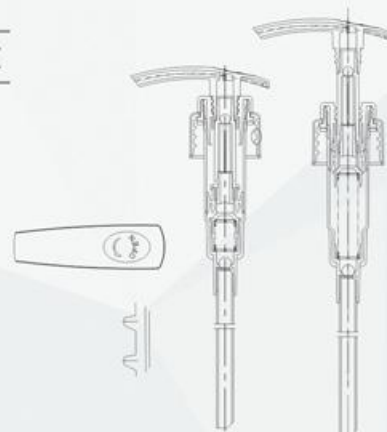
- 适用产品：洗发水，沐浴露，洗洁精等
- 泵出剂量：4.0±0.4g/次
- 纸箱规格尺寸：55*40.5*33CM
- 每箱大概数量：500个
- Application: shampoo, shower gel, dish washing liquid, etc.
- Dosage: 4.0±0.4g/time
- CTN Meas:58.1*30.8*38.5CM
- Approx Qty per CTN: 480 pcs

**LOTION
PUMP SERIES**

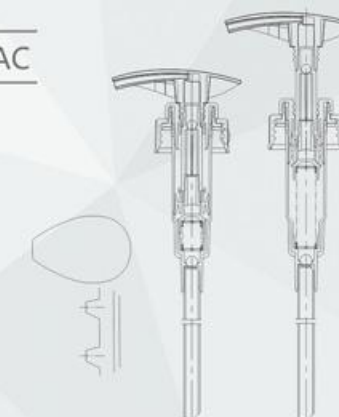
R501 乳液泵系列



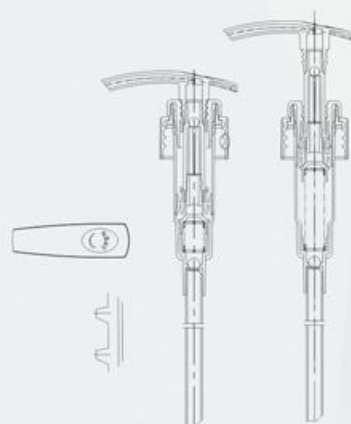
R501-28/410A-AAC



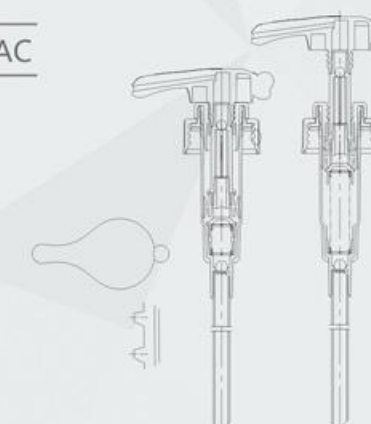
R501-30/410A-GAC



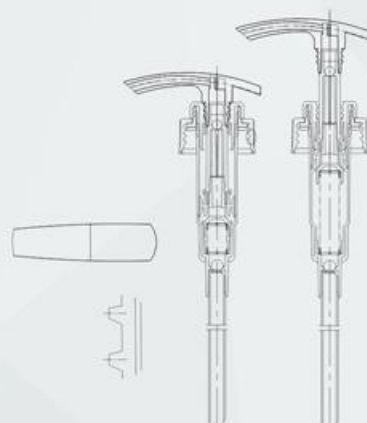
R501-28/410B-AAC



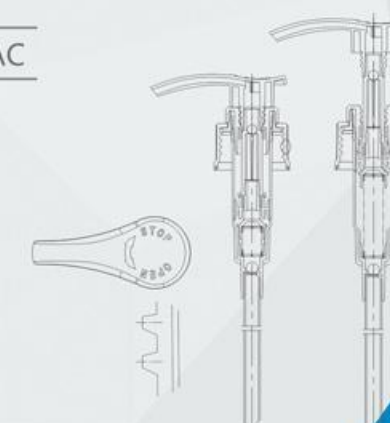
R501-30/410A-NAC



R501-30/410A-ABC



R501-30/410B-BAC

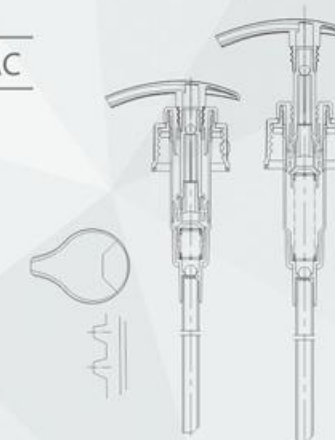




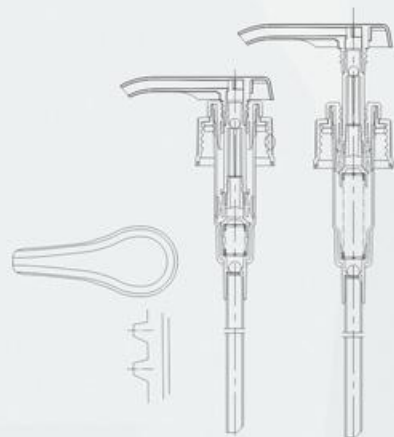
R501-30/410B-CAC



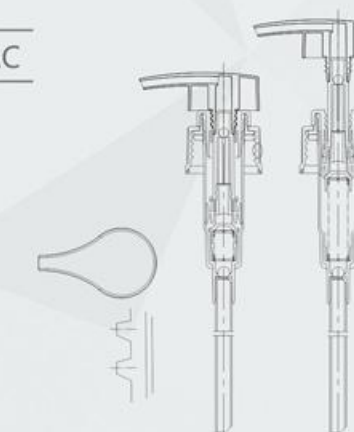
R501-30/410B-KAC



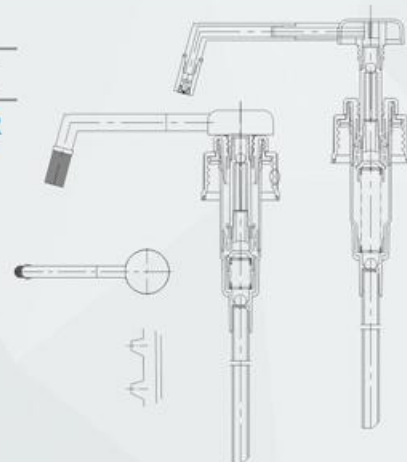
R501-30/410B-FAC



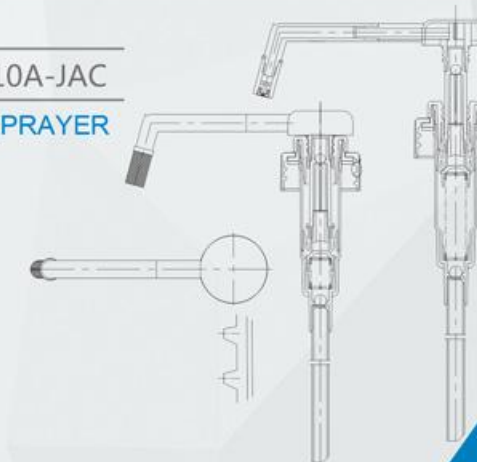
R501-30/410B-PAC



R501-30/410B-JAC
FINE MIST SPRAYER
喷雾泵



R501-33/410A-JAC
FINE MIST SPRAYER
喷雾泵

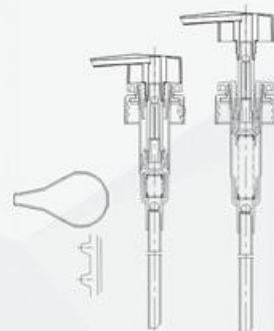


R501
SERIES
SHOW

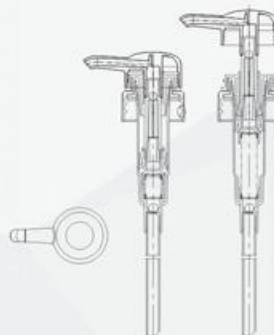
RONGSEN
RONGSEN CATALOGUE 荣森产品画册



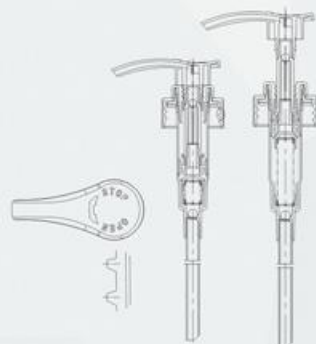
R501-33/410A-PAA



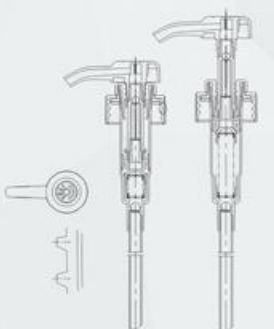
R501-33/410A-ZAF



R501-33/410B-BAC



R501-33/410B-CAC

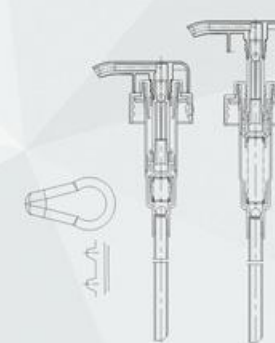




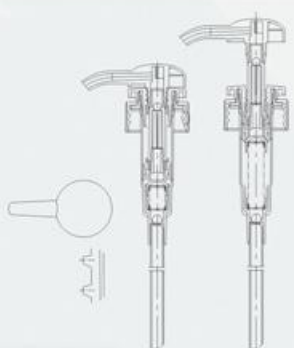
R501-33/410B-DAB



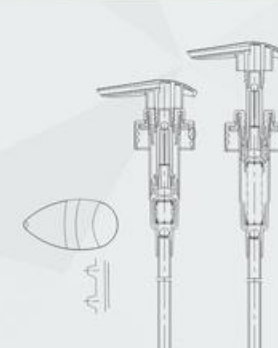
R501-33/410B-MAC



R501-33/410B-EAA



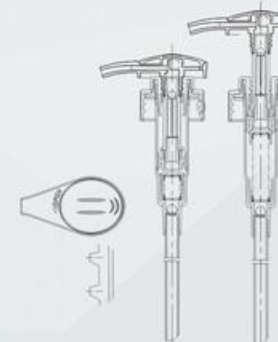
R501-33/410B-OAC



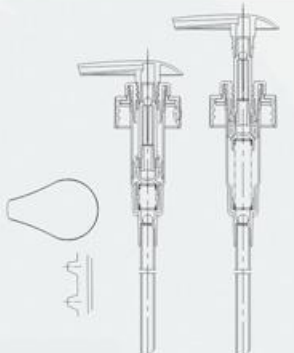
R501-33/410B-ECB



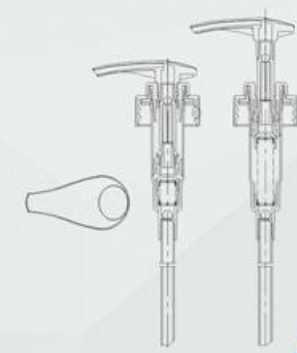
R501-33/410B-SAC



R501-33/410B-HAC

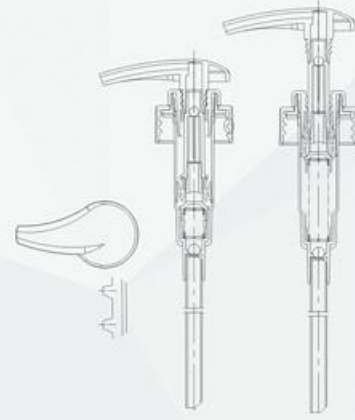


R501-33/410B-HBC

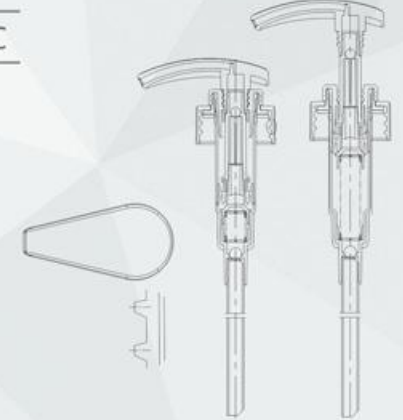




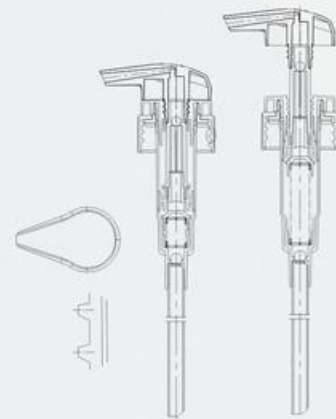
R501-33/410B-UAC



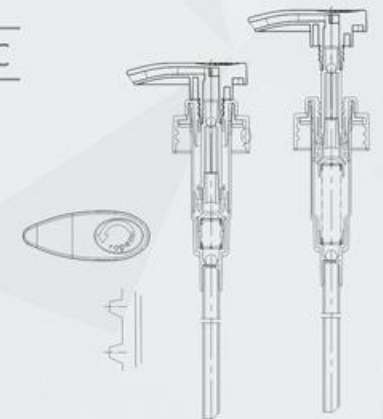
R501-33/410B-YAC



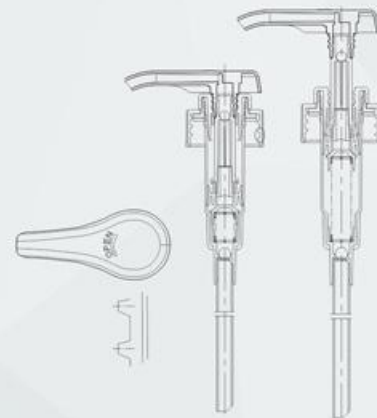
R501-33/410B-WAE



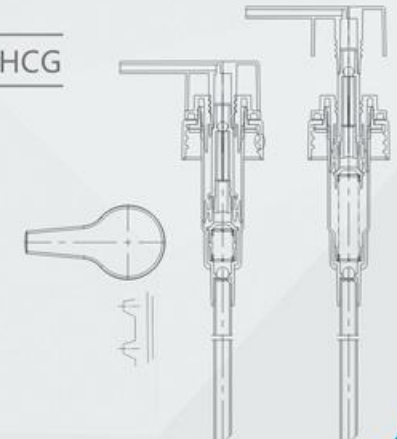
R501-33/410C-RAC



R501-33/410B-XAC

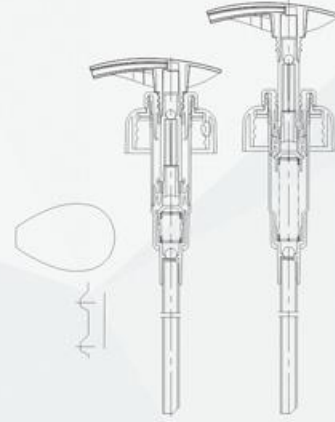


R501-33/410C-HCG

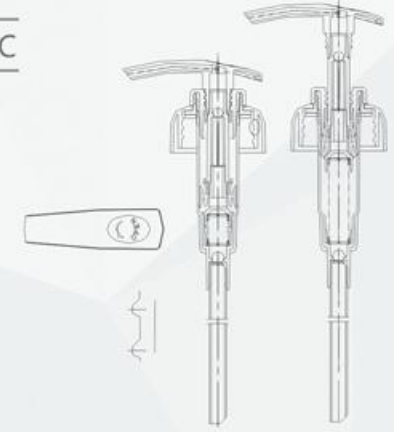




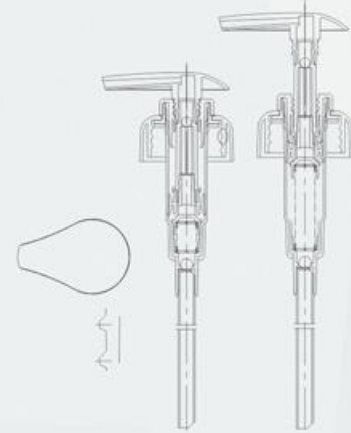
R501-33/410D-GAC



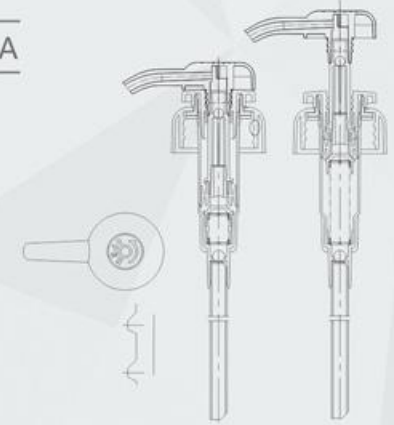
R501-33/410D-AAC



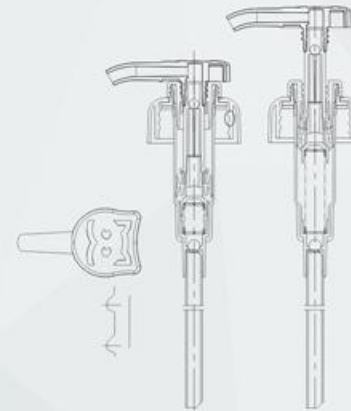
R501-33/410D-HAC



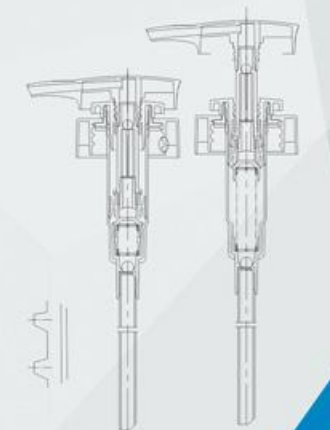
R501-33/410D-QAA



R501-30/410D-LAD

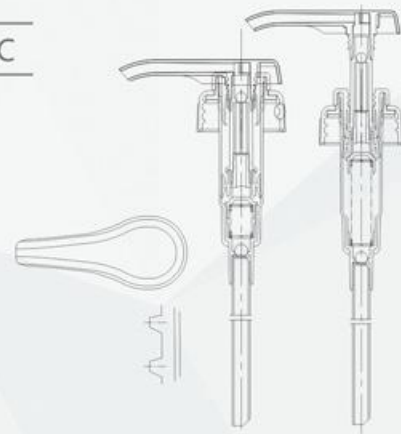


R501-33/410E-IAA





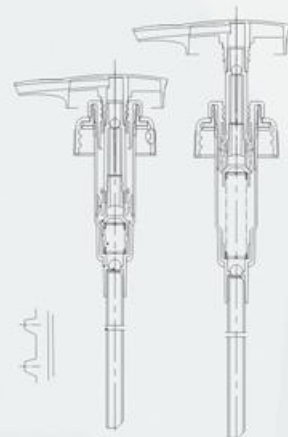
R501-33/410F-FAC



R501-33/410F-TAC



R501-33/410F-IAC



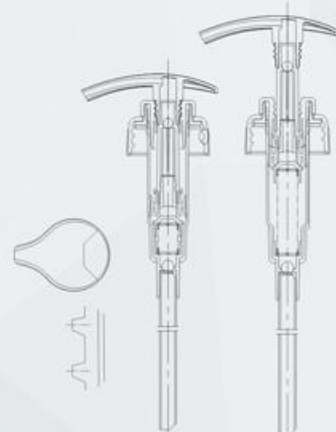
R501-33/410G-DAB



R501-33/410G-MAC



R501-33/410F-KAC



R501-33/410H-EAA



R502
SERIES
SHOW

LOTION PUMP SERIES

R502-33/410A-AAA

乳液泵系列



- 适用产品：洗发水，沐浴露，洗洁精等
- 泵出剂量：2.4±0.3g/次
- 纸箱规格尺寸：55*40.5*33CM
- 每箱大概数量：300个

- Application: shampoo, shower gel, dish washing liquid, etc.
- Dosage: 2.4±0.3g/time
- CTN Meas: 58.1*30.8*38.5CM
- Approx Qty per CTN: 280 pcs

R503
SERIES
SHOW

LOTION PUMP SERIES

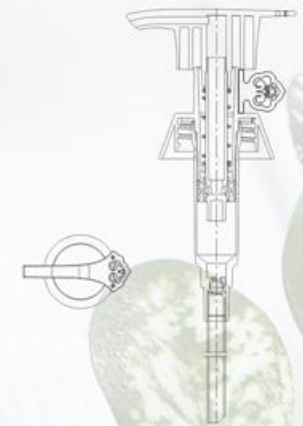
R503-33/410B-CAA

乳液泵系列



- 适用产品：洗发水，沐浴露，洗洁精等
- 泵出剂量：3.0±0.3g/次
- 纸箱规格尺寸：55*40.5*33CM
- 每箱大概数量：300个

- Application: shampoo, shower gel, dish washing liquid, etc.
- Dosage: 3.0±0.3g/time
- CTN Meas: 58.1*30.8*38.5CM
- Approx Qty per CTN: 280 pcs



R505
SERIES
SHOW

RONGSEN
RONGSEN CATALOGUE 荣森产品画册



LOTION PUMP SERIES

R505 乳液泵系列

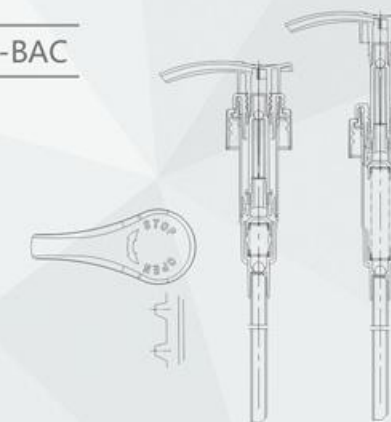


HIGH QUALITY &
SAFE PRODUCT

坚守“技术为精、信誉为本”的发展理念



R505-28/410C-BAC



R505-33/410B-BAC



- 适用产品：洗发水，沐浴露，洗洁精等
- 泵出剂量：5.0±0.5g/次
- 纸箱规格尺寸：55*40.5*33CM
- 每箱大概数量：550个

- Application: shampoo, shower gel, dish washing liquid, etc.
- Dosage: 5.0±0.5g/time
- CTN Meas: 58.1*30.8*38.5CM
- Approx Qty per CTN: 500 pcs



R300
SERIES
SHOW

RONGSEN
RONGSEN CATALOGUE 荣森产品画册

TREATMENT PUMP SERIES

R300 膏霜泵系列

- 适用产品：粉底霜，防晒霜，润肤露等
- 泵出剂量：0.22±0.05g/次
- 纸箱规格尺寸：56*37*21CM
- 每箱大概数量：1000个

Application: foundation cream,
sun protection cream, body lotion, etc.
Dosage: 0.22±0.05g/time
CTN Meas: 56x37x21cm
Approx Qty per CTN: 1000 pcs

HIGH QUALITY &
SAFE PRODUCT

坚守“技术为精、信誉为本”的发展理念

RONGSEN



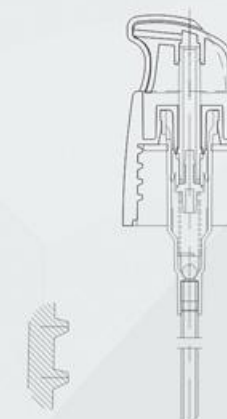
R300-M18/400C-CA



R300-20/410B-BA



R300-M20/410C-CA



R301
SERIES
SHOW

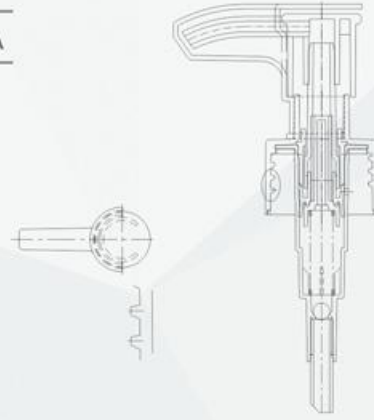
油泵系列

- 适用产品：卸妆油，洗手液，洗面奶，润肤露等
- 泵出剂量：0.65±0.05g/次
- 纸箱规格尺寸：55*40.5*33CM
- 每箱大概数量：1100个

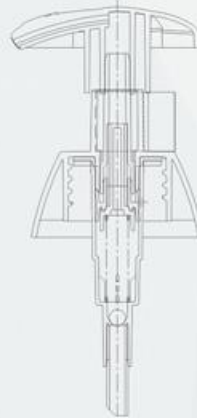
- Application: cleansing oil, hand soap, facial cleansing milk, lotion, etc.
- Dosage: 0.65±0.05g/time
- CTN Meas: 58.1*30.8*38.5CM
- Approx Qty per CTN: 1000 pcs



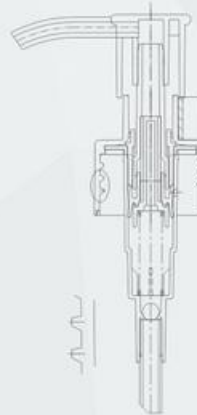
R301-20/410B-AAA
OIL PUMP
油泵



R301-24/410C-BAC
BABY LOTION PUMP
儿童乳液油泵

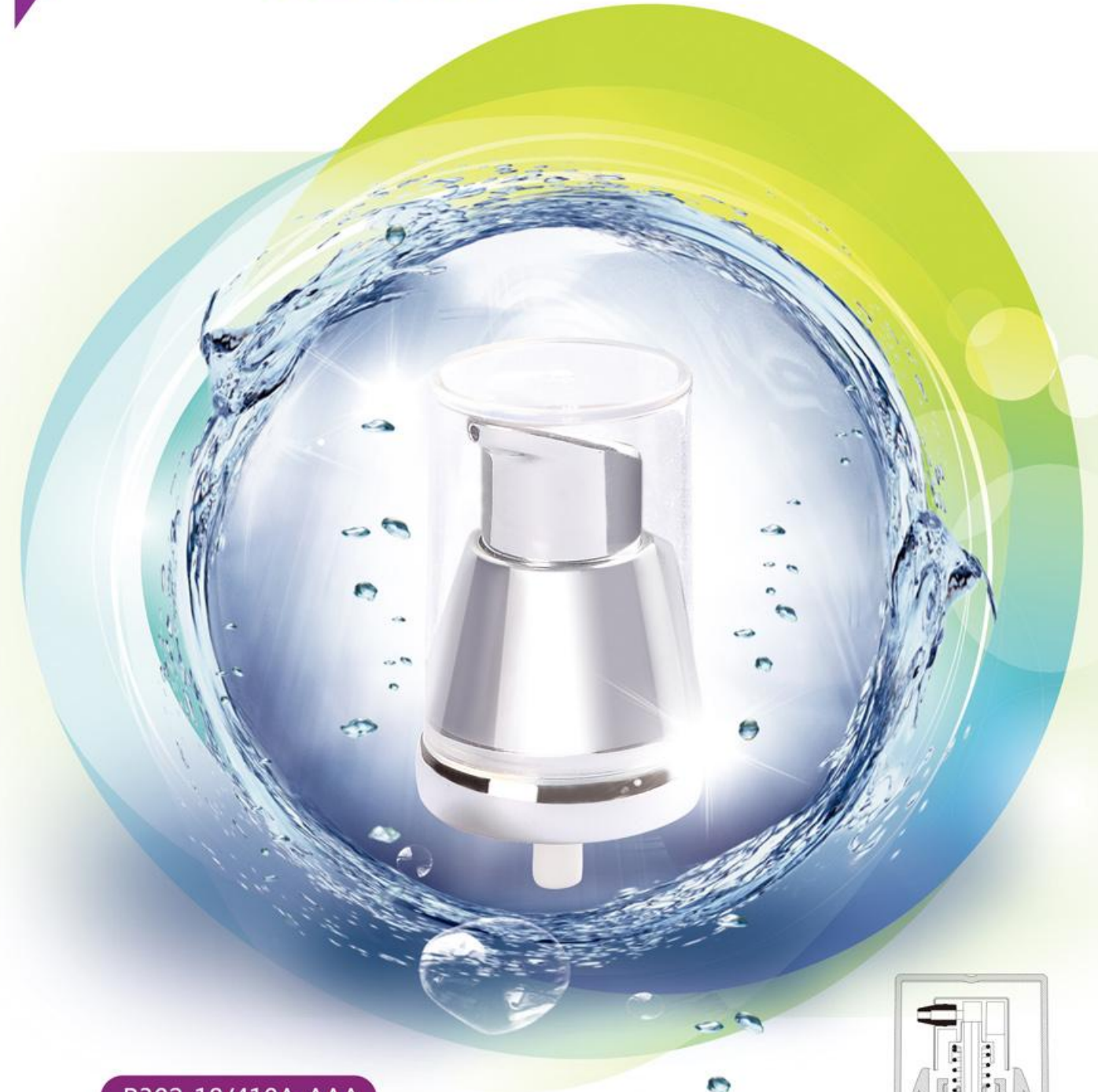


R301-24/410B-AAB
OIL PUMP
油泵



R302
SERIES
SHOW

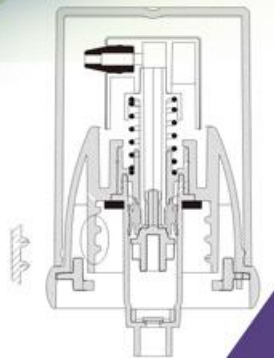
**AIRLESS
PUMP SERIES**
真空泵系列



R302-18/410A-AAA

- 适用产品：粉底霜，防晒霜，润肤露等
- 泵出剂量：0.2±0.04g/次
- 纸箱规格尺寸：56*37*21CM
- 每箱大概数量：900个

- Application: foundation cream, sun-protection cream, body lotion, etc.
- Dosage: 0.2±0.04g/time
- CTN Meas: 56*37*21CM
- Approx Qty per CTN: 900 pcs



R305
SERIES
SHOW

RONGSEN
RONGSEN CATALOGUE 荣森产品画册

HIGH QUALITY &
SAFE PRODUCT

坚守“技术为精、信誉为本”的发展理念



TREATMENT PUMP SERIES

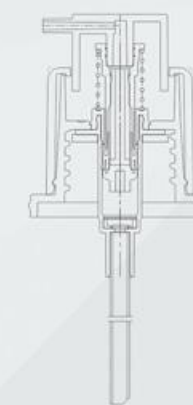
R305
膏霜泵系列

- 适用产品：粉底霜，防晒霜，润肤露等
- 泵出剂量：0.22±0.05g/次
- 纸箱规格尺寸：56*37*21CM
- 每箱大概数量：1000个

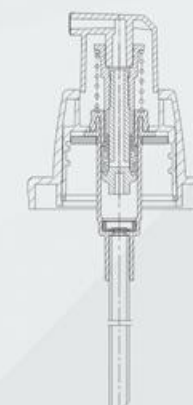
Application: foundation cream,
sun protection cream, body lotion, etc.
Dosage: 0.22±0.05g/time
CTN Meas: 56x37x21cm
Approx Qty per CTN: 1000 pcs



R305-22/410A-AAA



R305-22/410B-BA



R600
SERIES
SHOW

RONGSEN
RONGSEN CATALOGUE 荣森产品画册

FINE MIST SPRAYER SERIES

R600

喷雾泵系列

- 适用产品：花露水，香水，空气清新剂等
- 泵出剂量：0.19±0.03g/次
- 纸箱规格尺寸：56*37*21CM
- 每箱大概数量：900个

- Application: florida water, perfume, air freshener, etc.
- Dosage: 0.19±0.03g/time
- CTN Meas:56*37*21CM
- Approx Qty per CTN: 900 pcs



HIGH QUALITY &
SAFE PRODUCT

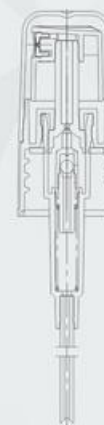
坚守“技术为精、信誉为本”的发展理念



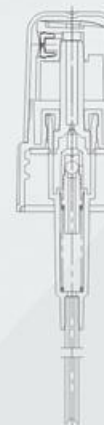
R600-18/410A-AAA



R600-18/410A-CAA

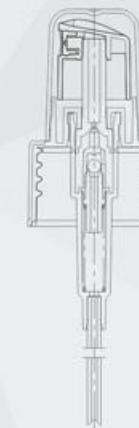


R600-20/400A-BAA

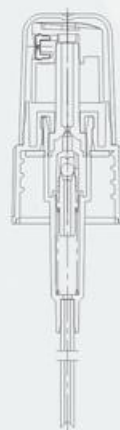




R600-24/410A-AAA



R600-20/410A-BAA



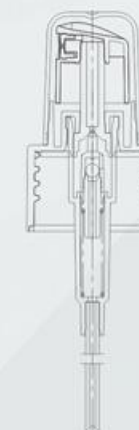
R600-24/410A-BAA



R600-20/410B-CAA



R600-24/410B-AAA



R701
SERIES
SHOW

RONGSEN
RONGSEN CATALOGUE 荣森产品画册

HIGH QUALITY &
SAFE PRODUCT



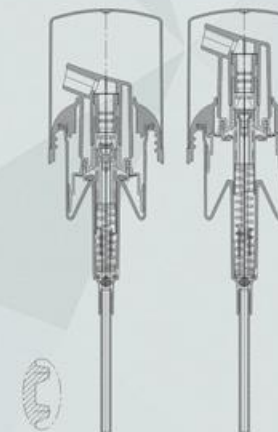
FOAM PUMP SERIES

R701 & 702

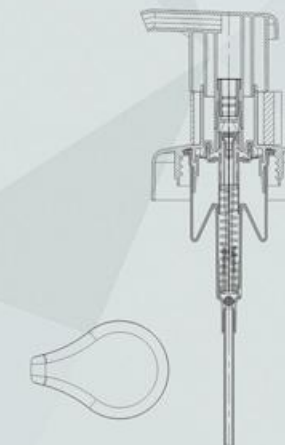
泡沫泵系列



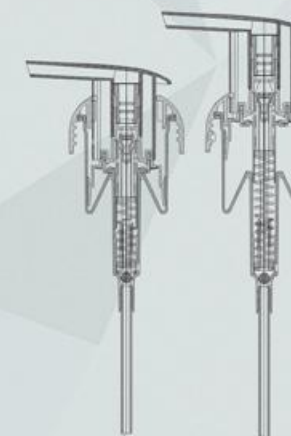
R701-40/410C-DA



R701-40/410D-EAB

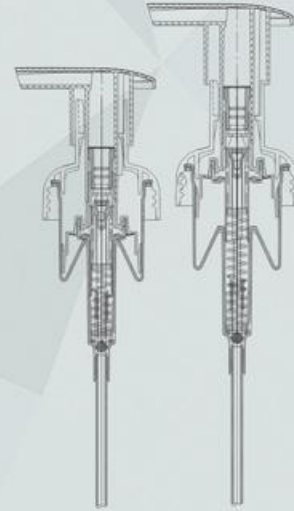


R701-40/410A-AA

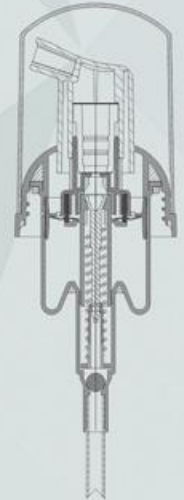




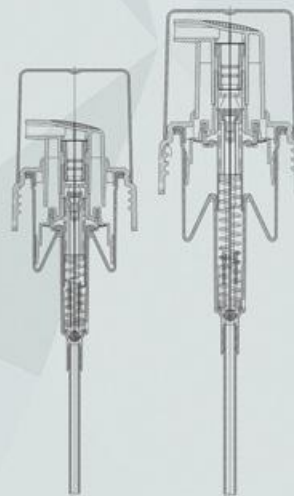
R701-40/410B-BA



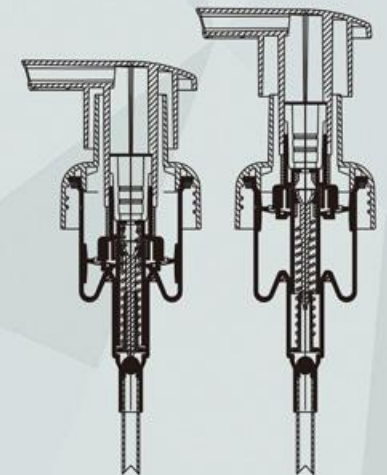
R702-30/410A-AA



R701-43/410A-CA



R702-30/410B-BA



R701

- 适用产品：洗手液，洗面乳等
- 泵出剂量：0.8±0.15g/次，1.6±0.2g/次
- 纸箱规格尺寸：55*40.5*33CM
- 每箱大概数量：350个

- Application: hand soap, hand sanitizer, facial wash, etc.
- Dosage: 0.8±0.15g/time, 1.6±0.2g/time
- CTN Meas: 58.1*30.8*38.5CM
- Approx Qty per CTN: 320 pcs

R702

- 适用产品：洗手液，洗面乳等
- 泵出剂量：0.4±0.1g/次
- 纸箱规格尺寸：55*40.5*33CM
- 每箱大概数量：620个

- Application: hand soap, hand sanitizer, facial wash, etc.
- Dosage: 0.4±0.1g/time
- CTN Meas: 58.1*30.8*38.5CM
- Approx Qty per CTN: 600 pcs

R800 SERIES SHOW

瓶盖系列

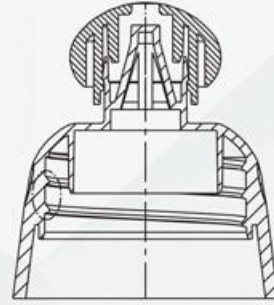
- 适用产品：洗涤液，洗洁精，洗衣液等
- 纸箱规格尺寸：55*40.5*33CM
- 每箱大概数量：400 ~ 1800个

CAP SERIES

- Application: laundry detergent liquid, dish washing liquid, etc.
- CTN Meas: 58.1*30.8*38.5CM
- Approx Qty per CTN: 400 ~ 1800 pcs



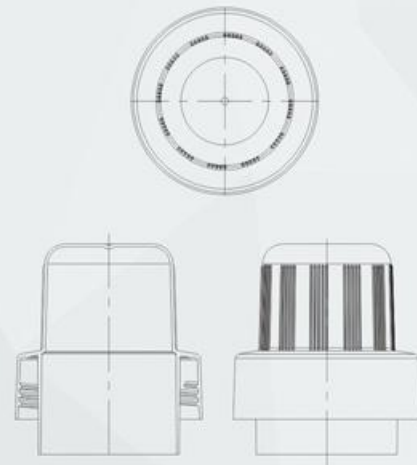
R800-30-410A



R800-M33-410A



R800-M62-400C



R801 SERIES SHOW

真空瓶系列

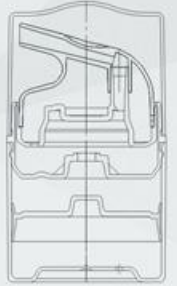
- 适用产品：护肤霜及抗老化霜类产品等
- 容量: 30ml, 50ml
- 纸箱规格尺寸：55*40.5*33CM
- 每箱大概数量：260个

AIRLESS PUMP BOTTLE SERIES

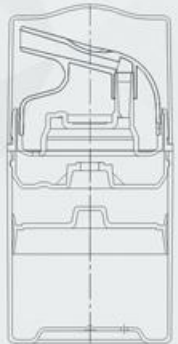
- Application: facial moisturizer cream & anti-aging daily moisturizer, etc.
- Capacity: 30ml, 50ml
- CTN Meas: 58.1*30.8*38.5CM
- Approx Qty per CTN: 250 pcs



R801-AAA-30ML



R801-AAA-50ML



R801-BAA-30ML



R801-BAA-50ML

